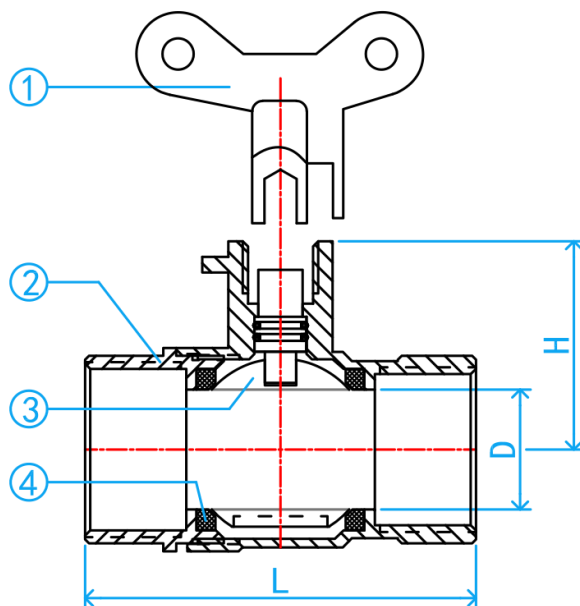


BRASS FULL BORE BALL VALVE WITH REMOVABLE KEY



CROSS SECTIONAL VIEW

COMPONENT PARTS

ITEM	PARTS	MATERIAL
1	Key	Zinc Plated Iron
2	Valve Body	Brass
3	Ball	Brass
4	Seat	Teflon

STANDARD SPECIFICATIONS

Nominal pressure	2.0MPa
Maximum working pressure	0.6MPa
Working Medium	Water, Non corrosive liquid
Working Temperature	$-20^{\circ}\text{C} \leq t \leq 110^{\circ}\text{C}$

DIMENSIONS

SKU	DN (mm)	SIZE (inch)	H (mm)	L (mm)	D (mm)	WEIGHT (kg)	PCS/CTN
BVLN015	15	1/2" BSP	39.0	52.5	12.5	0.205	100
BVLN020	20	3/4" BSP	41.0	55.5	15.0	0.261	60
BVLN025	25	1" BSP	49.5	69.0	20.0	0.456	50
BVLN035	32	1 1/4" BSP	53.5	76.5	25.0	0.550	20
BVLN042	40	1 1/2" BSP	61.5	88.0	32.0	0.850	20
BVLN050	50	2" BSP	68.0	103.0	40.0	1.000	10