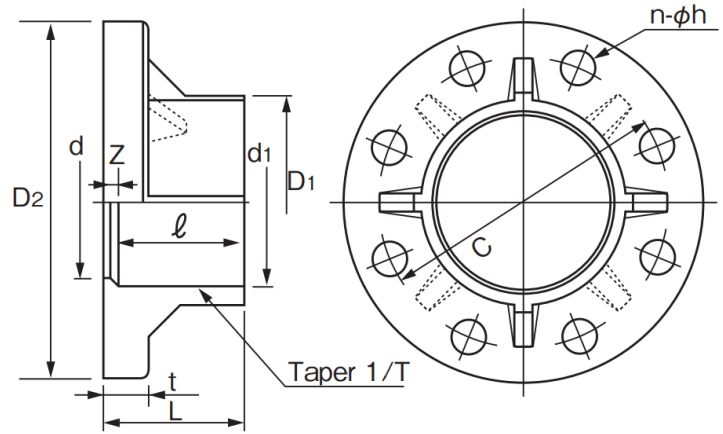
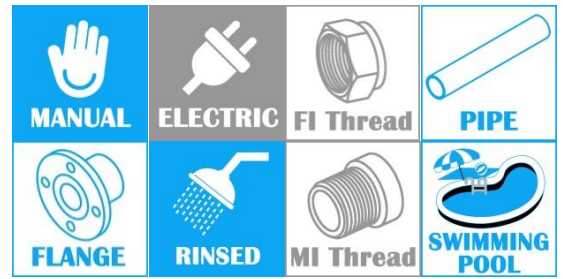


AW TS FLANGE SOCKET

COMPLY WITH JIS 10K



CROSS SECTIONAL VIEW

DIMENSIONS

SKU	SIZE		TS Socket			L	Z	d	Flange					Applicable Bolt M Length	WEIGHT (Kg)	PCS/ CTN
	A	B	d1	ℓ	1/T				C	D2	t	n-φh				
	AWFLS013	13	3/8	18.4	26				1/30	31	5	14	65			
AWFLS015	15	1/2	22.4	30	1/34	35	5	17	70	95	14	4-15	M12	50	0.13	45
AWFLS020	20	3/4	26.5	35	1/34	40	5	21	75	100	14	4-19	M12	50	0.15	45
AWFLS025	25	1	32.6	40	1/34	45	5	25	90	125	14	4-19	M16	55	0.24	30
AWFLS035	32	1 1/4	38.6	44	1/34	50	6	31	100	135	16	4-19	M16	60	0.31	30
AWFLS042	40	1 1/2	48.7	55	1/37	61	6	41	105	140	16	4-19	M16	60	0.36	30
AWFLS050	50	2	60.8	63	1/37	70	7	52	120	155	20	4-19	M16	70	0.52	16
AWFLS065	65	2 1/2	76.6	61	1/48	70	9	67	140	175	22	4-19	M16	75	0.71	10
AWFLS080	80	3	89.6	64	1/49	72	8	78	150	185	22	8-19	M16	75	0.85	10
AWFLS100	100	4	114.7	84	1/56	90	6	100	175	210	22	8-19	M16	75	1.14	10
AWFLS125	125	5	140.9	104	1/58	114	10	125	210	250	24	8-23	M20	80	1.67	10
AWFLS150	150	6	166.0	132	1/63	142	10	146	240	280	26	8-23	M20	85	2.53	6
AWFLS200	200	8	217.5	155	1/50	166	11	196	290	330	28	12-23	M20	90	3.62	4
AWFLS250	250	10	268.8	185	1/50	198	13	247	355	400	30	12-25	M22	95	5.48	3
AWFLS300	300	12	319.0	185	1/57	203	18	298	400	445	32	16-25	M22	100	7.80	1

- Notes:** 1. Flange dimensions conform to JWWA B2220.
2. Usable maximum temperate is 80° C.