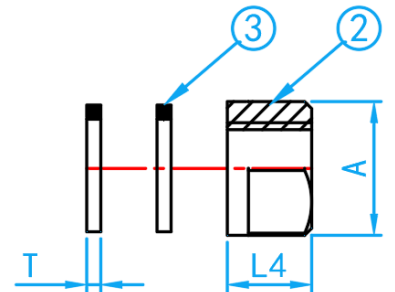
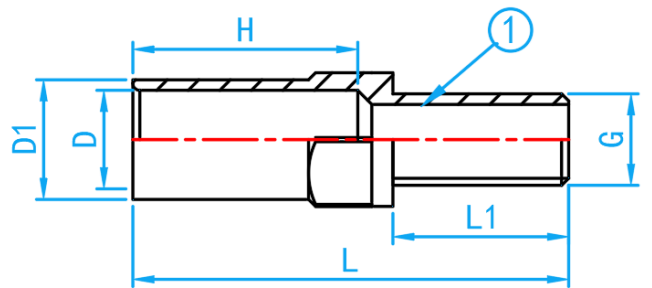
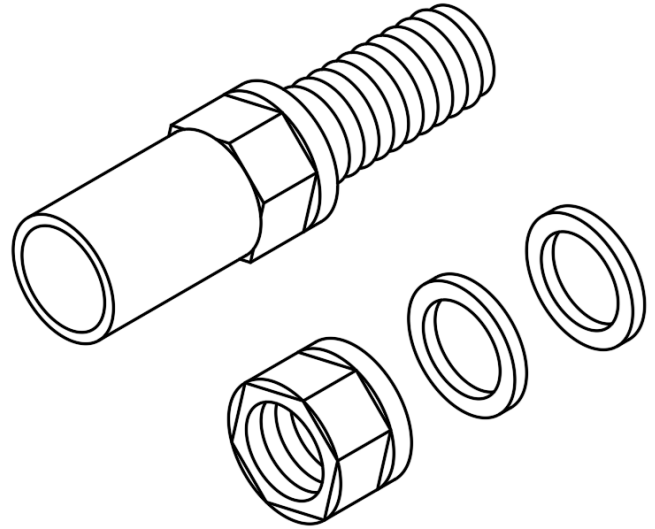
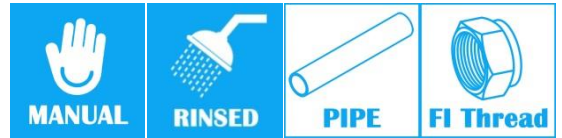


# UPVC TANK CONNECTOR



## COMPONENT PARTS

ITEM	PARTS	MATERIAL	QTY
1	Body	PVC-U	1
2	Nut	PVC-U	1
3	Gasket	NBR	2

## DIMENSIONS

SKU	SIZE G (inch)	D (mm)	D1 (mm)	L (mm)	L1 (mm)	L4 (mm)	H (mm)	A (mm)	T (mm)
AWTC015S	1/2"	21.4	27.2	67.0	31.7	10.2	31.7	31.0	1.5
AWTC020S	3/4"	26.8	33.4	75.7	40.0	10.2	31.7	34.2	1.5
AWTC025S	1"	33.9	40.5	89.8	40.8	11.6	43.1	45.6	1.5
AWTC035S	1 1/4"	42.2	48.8	114.0	57.4	12.8	51.0	50.8	2.5
AWTC042S	1 1/2"	48.3	55.8	122.7	56.4	14.0	60.9	57.0	2.5
AWTC050S	2"	60.3	67.9	124.5	57.1	14.0	61.7	68.0	2.5