

SEKISUI

VU/AE (JIS K 6739) FITTINGS

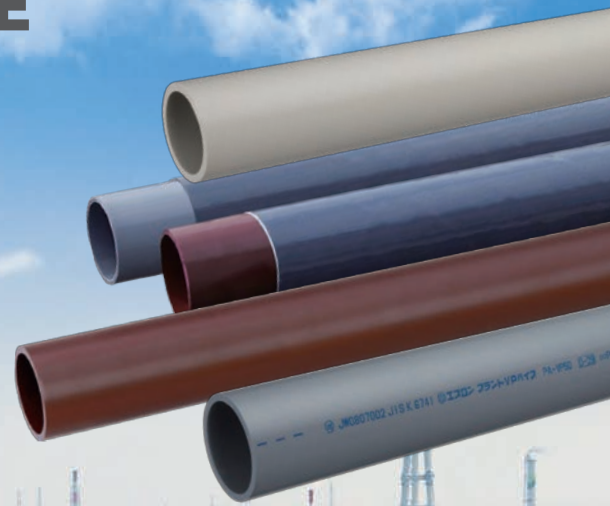


WEBSITE LINK



Industrial Piping Systems

ESLON™ PLANT PIPE MATERIALS CATALOGUE





JIS Mark Scheme
Certificate of Compliance

Licensee : Yamanashi Sekisui Co., Ltd.

Address : 300 Kamijo Araimachi, Kofu City, Yamanashi Prefecture

Certification Number : JQ0306018

This is to certify that the following product which the above licensee applied for has been complied with the requirements specified in Japanese Industrial Standards (JIS) and relevant Ordinance of industrial products, etc.

Designation of Industrial and Mineral Products for Certification : Unplasticized poly(vinyl chloride) (PVC-U) pipe fittings for drain
Plastic pipes and fittings for water works
Plastic pipes and fittings for hot and cold water supply

Division of Certification : Unplasticized poly(vinyl chloride) (PVC-U) pipes and fittings

JIS Number and name concerning Certification : (1) JIS K 6739 Unplasticized poly(vinyl chloride) (PVC-U) pipe fittings for drain
(2) JIS K 6743 Unplasticized poly(vinyl chloride) (PVC-U) pipe fittings for water supply
(3) JIS K 6777 Chlorinated poly(vinyl chloride) (PVC-C) pipe fittings for hot and cold water supply

Type or Grade specified in JIS / Range of Certification : (1) Unplasticized poly (vinyl chloride) (PVC-U) pipe fittings for drain
(2) Unplasticized poly (vinyl chloride) (PVC-U) pipe fittings and Impact-resistant unplasticized poly (vinyl chloride) (PVC-U) pipe fittings
(3) Chlorinated poly (vinyl chloride) (PVC-C) pipe fittings

Factory or Business establishments concerning Certification :

Designation and Address : Yamanashi Sekisui Co., Ltd.

300 Kamijo Araimachi, Kofu City, Yamanashi Prefecture

Basis Provision of the Relevant Law concerning Certification :

Clause 1 of Article 30 of the Industrial Standardization Law

Date of the Certification Agreement : December 27, 2006

Date of Expiry : December 26, 2024

Application Deadline for Periodic Certification Maintenance : June 4, 2024

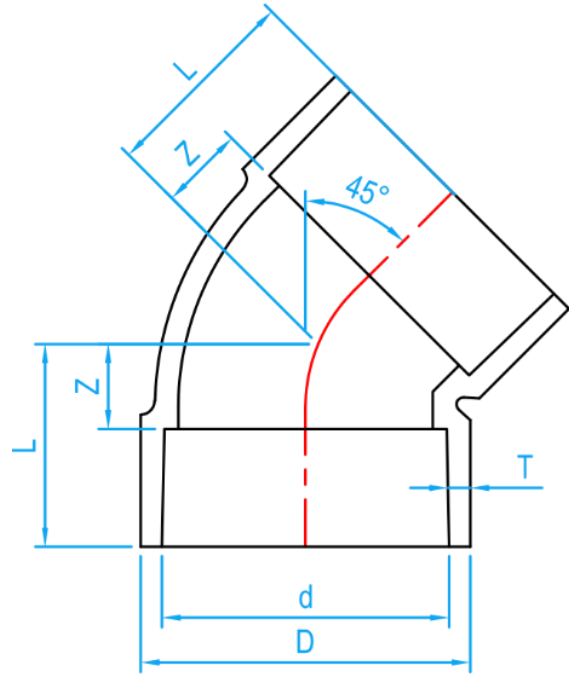
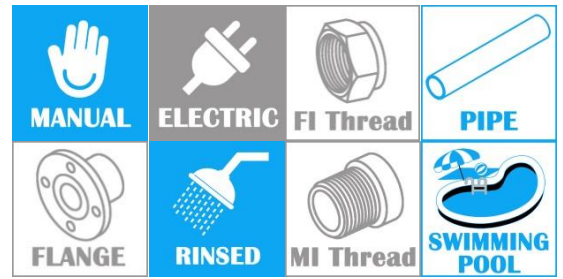
Surveillance for Renewal of Above Date of Expiry

NORIAKI KOBAYASHI
President

JAPAN QUALITY ASSURANCE ORGANIZATION
1-25, Kandasudacho, Chiyoda-ku, Tokyo, Japan

ESLON VU/AE ELBOW 45°

COMPLY WITH JIS K 6739



CROSS SECTIONAL VIEW

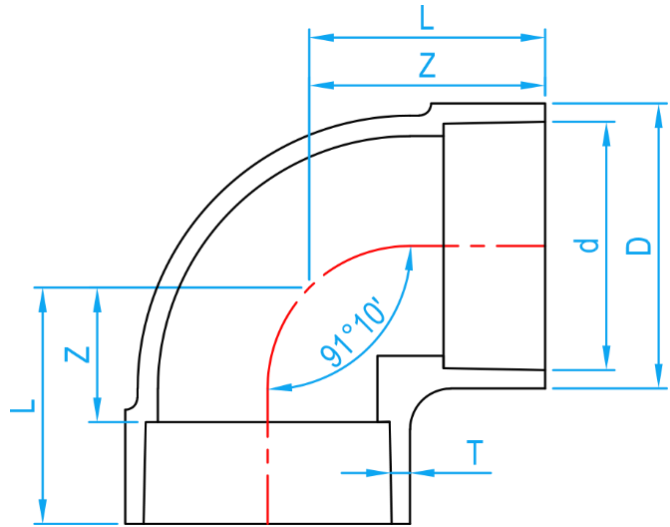
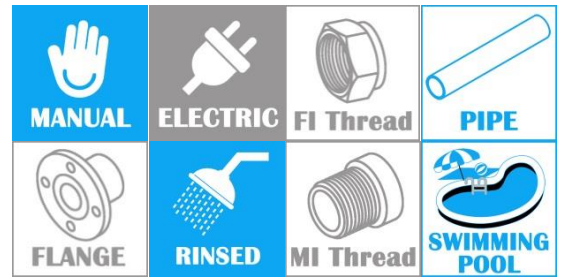
DIMENSIONS

SKU	DN	d (mm)	D (mm)	T-Min (mm)	Z (mm)	L (mm)	WEIGHT (Kg)	PCS/CTN
AEE45035	35	38.25±0.25	44	2.2	12	30	0.036	340
AEE45042	42	48.30±0.30	54	2.2	14	36	0.055	190
AEE45050	50	60.35±0.30	67	2.2	18	43	0.081	100
AEE45065	65	76.40±0.30	83	2.5	22	57	0.156	46
AEE45080	80	89.45±0.30	97	3.0	25	65	0.203	40
AEE45100	100	114.55±0.35	124	3.5	30	80	0.444	20
AEE45125	125	140.70±0.40	151	4.5	38	103	0.798	10
AEE45150	150	165.85±0.45	178	5.5	44	124	1.278	6
AEE45200	200	217.3	227	5.5	48	153	1.942	3
AEE45250	250	268.6	280	6.5	58	183	3.387	3
AEE45300	300	319.8	333	7.5	70	210	5.420	2
AEE45350	350	373.0	389	9.3	90	250	9.845	1
AEE45400	400	423.0	444	10.5	120	320	-	1

Notes: 1. The tolerance for Z is ±2mm.
2. L is the standard dimension.

ESLON VU/AE ELBOW 90°

COMPLY WITH JIS K 6739



CROSS SECTIONAL VIEW

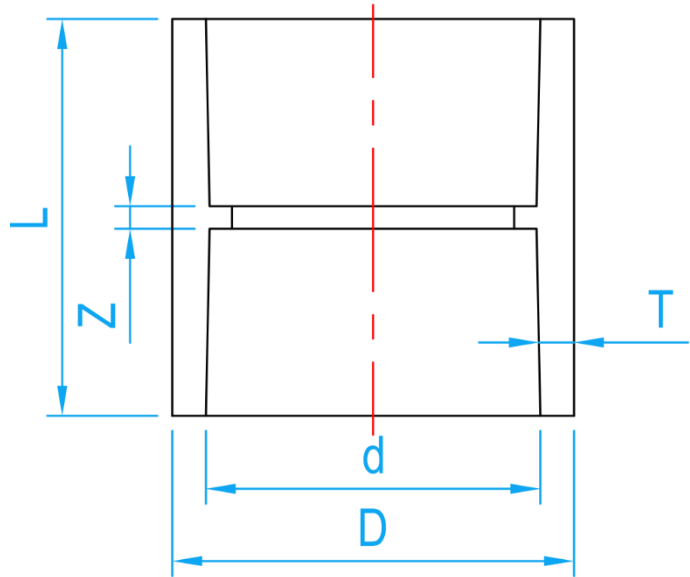
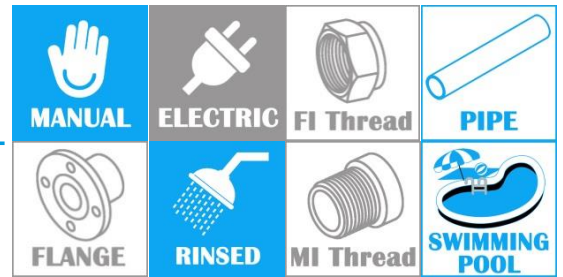
DIMENSIONS

SKU	DN	d (mm)	D (mm)	T-Min (mm)	Z (mm)	L (mm)	WEIGHT (Kg)	PCS/CTN
AEE90030	30	38.25±0.25	44	2.2	22	40	0.038	300
AEE90042	42	48.5±0.3	54	2.2	27	49	0.058	150
AEE90050	50	60.5±0.3	67	2.2	33	58	0.093	85
AEE90065	65	76.6±0.3	83	2.5	42	77	0.182	36
AEE90080	80	89.6±0.3	97	3.0	48	88	0.249	30
AEE90100	100	114.8±0.4	124	3.5	62	112	0.503	16
AEE90125	125	140.9±0.4	151	4.5	75	140	0.944	8
AEE90150	150	166.1±0.5	178	5.5	88	168	1.450	5
AEE90200	200	217.3	227	5.5	113	218	3.203	4
AEE90250	250	268.6	280	6.5	139	264	4.208	3
AEE90300	300	319.8	333	7.5	165	305	7.360	1
AEE90350	350	373.0	389	9.3	196	356	9.805	1
AEE90400	400	423.0	444	10.5	222	422	19.500	1

- Notes:**
1. The tolerance for Z is ±2mm.
 2. The flow angle is 91° 10' ± 30'.
 3. L is the standard dimension.

ESLON VU/AE EQUAL SOCKET

COMPLY WITH JIS K 6739



CROSS SECTIONAL VIEW

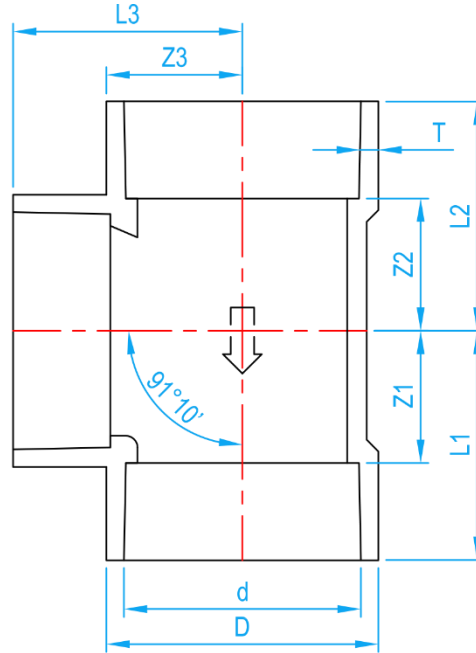
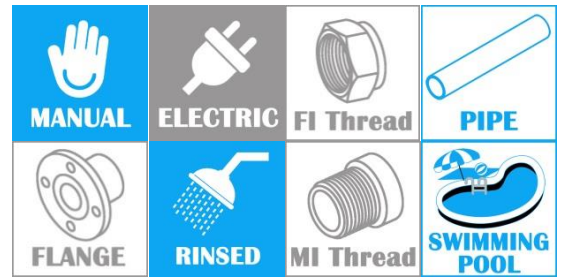
DIMENSIONS

SKU	DN	d (mm)	D (mm)	T-Min (mm)	Z (mm)	L (mm)	WEIGHT (Kg)	PCS/CT N
AEES035	35	38.25±0.25	44	2.2	3	39	0.026	540
AEES042	42	48.5±0.3	54	2.2	3	47	0.036	280
AEES050	50	60.5±0.3	67	2.2	3	53	0.055	160
AEES065	65	76.6±0.3	83	2.5	3	73	0.101	74
AEES080	80	89.6±0.3	97	3.0	4	84	0.156	70
AEES100	100	114.8±0.4	124	3.5	4	104	0.281	34
AEES125	125	140.9±0.4	151	4.5	4	134	0.528	14
AEES150	150	166.1±0.5	178	5.5	4	164	0.960	12
AEES200	200	217.3	227	5.5	5	215	1.628	8
AEES250	250	268.6	280	6.5	6	270	2.625	2
AEES300	300	319.8	333	7.5	7	320	4.743	2
AEES350	350	373.0	389	9.3	8	410	9.260	1
AEES400	400	423.0	444	10.5	13	413	10.775	1

Notes: 1. The tolerance for Z is ±2mm.
2. L is the standard dimension.

ESLON VU/AE EQUAL TEE

COMPLY WITH JIS K 6739



CROSS SECTIONAL VIEW

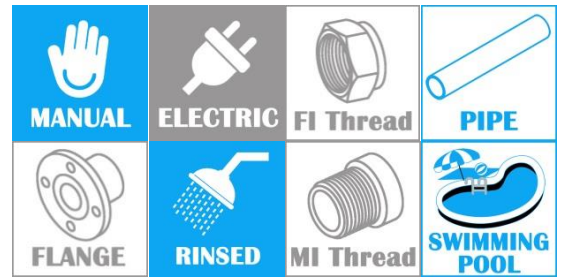
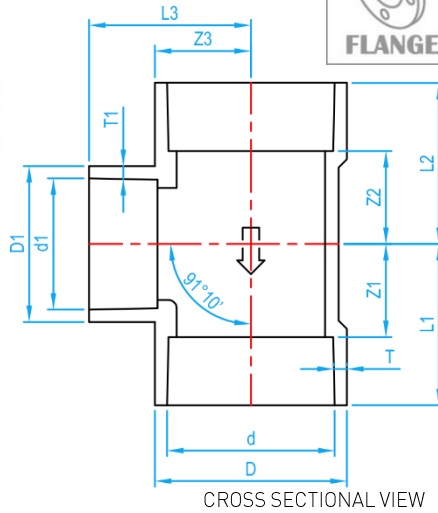
DIMENSIONS

SKU	DN	d (mm)	D (mm)	T-Min (mm)	Z1 (mm)	Z2 (mm)	Z3 (mm)	L1 (mm)	L2 (mm)	L3 (mm)	WEIGHT (Kg)	PCS/CTN
AEET035	35	38.25±0.25	44	2.2	22	22	22	40	40	40	0.061	180
AEET042	42	48.5±0.3	54	2.2	27	27	27	49	49	49	0.089	100
AEET050	50	60.5±0.3	67	2.2	34	34	34	59	59	59	0.128	50
AEET065	65	76.6±0.3	83	2.5	42	43	42	77	78	77	0.251	24
AEET080	80	89.6±0.3	97	3.0	48	49	48	88	89	88	0.413	24
AEET100	100	114.8±0.4	124	3.5	62	63	62	112	113	112	0.653	12
AEET125	125	140.9±0.4	151	4.5	75	76	75	140	141	140	1.305	6
AEET150	150	166.1±0.5	178	5.5	89	90	89	169	170	169	2.180	4
AEET200	200	217.3	227	5.5	113	113	113	218	218	218	3.280	3
AEET250	250	268.6	280	6.5	139	139	139	264	264	264	5.833	2
AEET300	300	319.8	333	7.5	168	168	168	318	318	318	9.710	1

- Notes:**
1. The tolerance for Z1, Z2, and Z3 is ± 2 mm.
 2. The flow angle is $91^\circ 10' \pm 30'$
 3. L1, L2 and L3 are the standard dimensions.

ESLON VU/AE REDUCE TEE

COMPLY WITH JIS K 6739



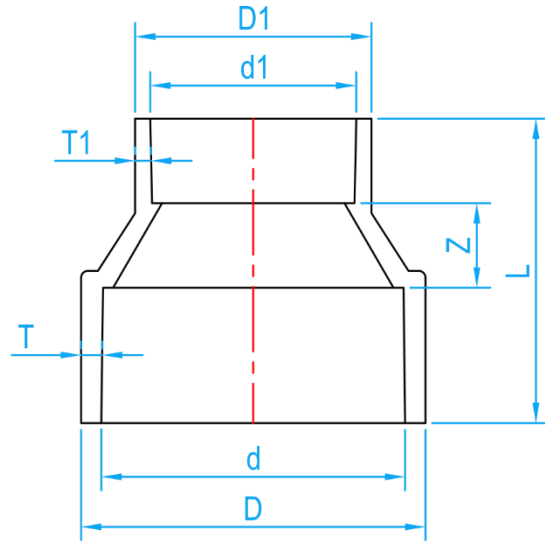
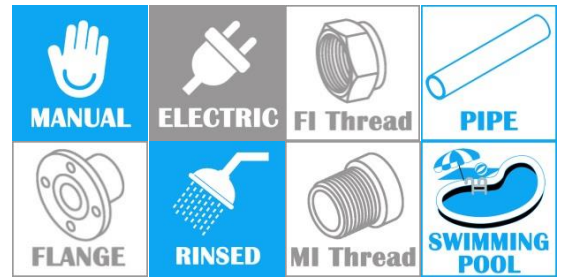
DIMENSIONS

SKU	DN	d (mm)	D (mm)	T-Min (mm)	d1 (mm)	D1 (mm)	T1-Min (mm)	Z1 (mm)	Z2 (mm)	Z3 (mm)	L1 (mm)	L2 (mm)	L3 (mm)	WEIGHT (Kg)	PCS/CTN
AERT04235	42x35	48.5±0.3	54	2.2	38.25±0.25	44	2.2	22	22	27	44	44	45	0.071	120
AERT05035	50x35	60.5±0.3	67	2.2	38.25±0.25	44	2.2	22	22	33	47	47	51	0.098	76
AERT05042	50x42	60.5±0.3	67	2.2	48.5±0.3	54	2.2	27	27	33	52	52	55	0.132	66
AERT06542	65x42	76.6±0.3	83	2.5	48.5±0.3	54	2.2	27	28	42	62	63	64	0.168	40
AERT06550	65x50	76.6±0.3	83	2.5	60.5±0.3	67	2.2	34	35	42	69	70	67	0.210	34
AERT08042	80x42	89.6±0.3	97	3.0	48.5±0.3	54	2.2	27	28	48	67	68	70	0.274	34
AERT08050	80x50	89.6±0.3	97	3.0	60.5±0.3	67	2.2	34	35	48	74	75	73	0.277	34
AERT08065	80x65	89.6±0.3	97	3.0	76.6±0.3	83	2.5	42	43	48	82	83	83	0.303	30
AERT10042	100x42	114.8±0.4	124	3.5	48.5±0.3	54	2.2	27	28	62	77	78	84	0.469	24
AERT10050	100x50	114.8±0.4	124	3.5	60.5±0.3	67	2.2	34	35	62	84	85	87	0.444	22
AERT10065	100x65	114.8±0.4	124	3.5	76.6±0.3	83	2.5	42	43	62	92	93	97	0.590	16
AERT10080	100x80	114.8±0.4	124	3.5	89.6±0.3	97	3.0	48	49	62	98	99	102	0.662	14
* AERT12580	125x80	140.9±0.4	151	4.5	89.6±0.3	97	3.0	48.5	49	75.5	113.5	114	115.5	0.949	8
* AERT125100	125x100	140.9±0.4	151	4.5	114.8±0.4	124	3.5	61.5	63	75	126.5	128	124.5	1.107	8
* AERT15080	150x80	166.1±0.5	178	5.5	89.6±0.3	97	3.0	53	52	90	132.8	131.8	129.8	1.462	7
* AERT150100	150x100	166.1±0.5	178	5.5	114.8±0.4	124	3.5	61.5	62.5	90	141	142	140	1.711	6
* AERT150125	150x125	166.1±0.5	178	5.5	140.9±0.4	151	4.5	77	74	89	154	153.5	153.5	1.921	5
AERT200100	200x100	217.3	227	5.5	114.8±0.4	124	3.5	62	63	116	167	168	166	2.646	4
AERT200125	200x125	217.3	227	5.5	140.9±0.4	151	4.5	76	75	116	186	185	180	-	4
AERT200150	200x150	217.3	227	5.5	166.1±0.5	178	5.5	88	88	118	198	198	198	3.435	2
AERT250150	250x150	268.6	280	6.5	166.1±0.5	178	5.5	86	94	145	217	225	209	3.438	2
AERT250200	250x200	268.6	280	6.5	217.3	227	5.5	114	116	140	244	246	240	4.815	1
AERT300200	300x200	319.8	333	7.5	217.3	227	5.5	114	115	166	264	265	276.5	6.080	1

- Notes:**
1. The tolerance for Z1, Z2, and Z3 is ± 2mm.
 2. The flow angle is 91° 10' ±30'
 3. L1, L2 and L3 are the standard dimensions.
 4. The * mark indicates the SEKISUI standard.

ESLON VU/AE REDUCE SOCKET

COMPLY WITH JIS K 6739



CROSS SECTIONAL VIEW

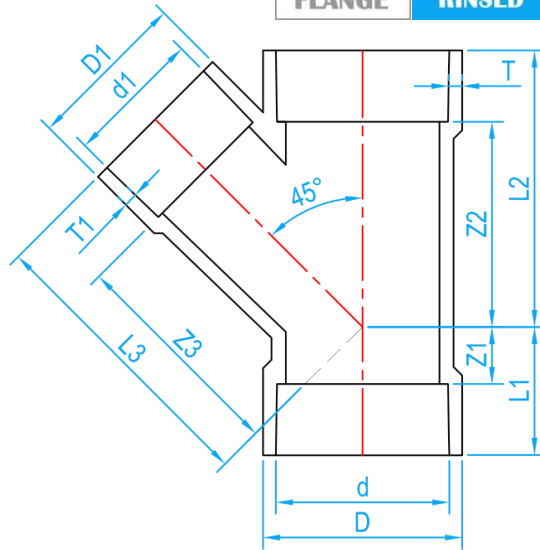
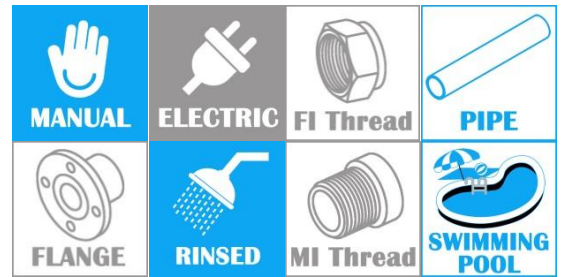
DIMENSIONS

SKU	DN	d (mm)	D (mm)	T-Min (mm)	d1 (mm)	D1 (mm)	T1-Min (mm)	Z (mm)	L (mm)	WEIGHT (Kg)	PCS/CTN
AERS04235	42x35	48.5±0.3	54	2.2	38.25±0.25	44	2.2	20	60	-	270
AERS05042	50x42	60.5±0.3	67	2.2	48.5±0.3	54	2.2	20	67	0.061	150
AERS06542	65x42	76.6±0.3	83	2.5	48.5±0.3	54	2.2	20	77	0.088	130
AERS06550	65x50	76.6±0.3	83	2.5	60.5±0.3	67	2.2	20	80	0.109	100
AERS08042	80x42	89.6±0.3	97	3.0	48.5±0.3	54	2.2	25	87	0.134	120
AERS08050	80x50	89.6±0.3	97	3.0	60.5±0.3	67	2.2	25	90	0.142	120
AERS08065	80x65	89.6±0.3	97	3.0	76.6±0.3	83	2.5	25	100	0.165	90
AERS10042	100x42	114.8±0.4	124	3.5	48.5±0.3	54	2.2	30	102	0.251	54
AERS10050	100x50	114.8±0.4	124	3.5	60.5±0.3	67	2.2	30	105	0.247	54
AERS10065	100x65	114.8±0.4	124	3.5	76.6±0.3	83	2.5	30	115	0.263	54
AERS10080	100x80	114.8±0.4	124	3.5	89.6±0.3	97	3.0	30	120	0.260	48
AERS12580	125x80	140.9±0.4	151	4.5	89.6±0.3	97	3.0	35	140	-	28
AERS125100	125x100	140.9±0.4	151	4.5	114.8±0.4	124	3.5	35	150	0.510	25
AERS150100	150x100	166.1±0.5	178	5.5	114.8±0.4	124	3.5	40	170	0.793	20
AERS150125	150x125	166.1±0.5	178	5.5	140.9±0.4	151	4.5	40	185	0.847	18
AERS200100	200x100	217.3	227	5.5	114.8±0.4	124	3.5	65	218	0.847	9
AERS200125	200x125	217.3	227	5.5	140.9±0.4	151	4.5	60	227	1.088	12
AERS200150	200x150	217.3	227	5.5	166.1±0.5	178	5.5	45	230	1.352	12
AERS250200	250x200	268.6	280	6.5	217.3	227	5.5	65	304	3.039	4
AERS300200	300x200	319.8	333	7.5	217.3	227	5.5	70	315	3.315	2
AERS300250	300x250	319.8	333	7.5	268.6	280	6.5	50	315	4.808	2

- Notes:** 1. The tolerance for Z is ± 2 .
2. L is the standard dimension.

ESLON VU/AE Y TEE

COMPLY WITH JIS K 6739

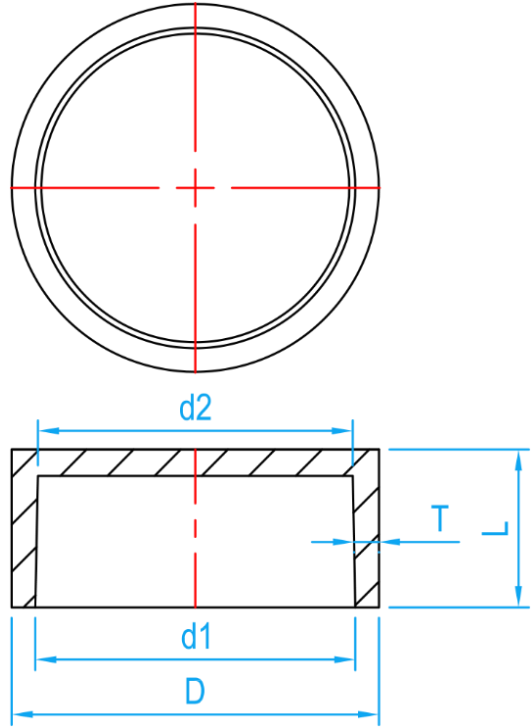
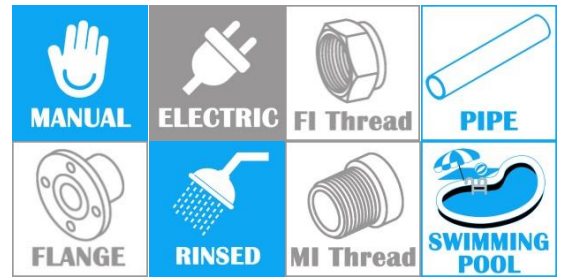


CROSS SECTIONAL VIEW

DIMENSIONS

SKU	DN	d (mm)	D (mm)	T-Min (mm)	d1 (mm)	D1 (mm)	T1-Min (mm)	Z1 (mm)	Z2 (mm)	Z3 (mm)	L1 (mm)	L2 (mm)	L3 (mm)	WEIGHT (Kg)	PCS/CTN
AEYT042	42	48.5±0.3	54	2.2	48.5±0.3	54	2.2	12	58	62	34	80	84	0.098	70
AEYT050	50	60.5±0.3	67	2.2	60.5±0.3	67	2.2	20	72	78	45	97	103	0.173	40
AEYT065	65	76.6±0.3	83	2.5	76.6±0.3	83	2.5	20	92	98	55	127	133	0.285	20
AEYT080	80	89.6±0.3	97	3.0	89.6±0.3	97	3.0	26	106	115	66	146	155	0.473	16
AEYT100	100	114.8±0.4	124	3.5	114.8±0.4	124	3.5	32	134	144	82	184	194	0.929	8
AEYT125	125	140.9±0.4	151	4.5	140.9±0.4	151	4.5	38	172	175	103	237	240	1.784	4
AEYT150	150	166.1±0.5	178	5.5	166.1±0.5	178	5.5	44	204	210	124	284	290	0.767	3
AEYT200	200	217.3	227	5.5	217.3	227	5.5	42	258	268	147	363	373	4.130	2
AEYT04235	42x35	48.5±0.3	54	2.2	38.25±0.25	44	2.2	6	50	58	28	72	76	-	100
AEYT05035	50x35	60.5±0.3	67	2.2	38.25±0.25	44	2.2	0	56	65	25	81	83	-	70
AEYT05042	50x42	60.5±0.3	67	2.2	48.5±0.3	54	2.2	8	62	70	33	87	92	0.140	50
AEYT06542	65x42	76.6±0.3	83	2.5	48.5±0.3	54	2.2	-1	72	82	34	107	104	-	30
AEYT06550	65x50	76.6±0.3	83	2.5	60.5±0.3	67	2.2	8	80	88	43	115	113	0.259	26
AEYT08042	80x42	89.6±0.3	97	3.0	48.5±0.3	54	2.2	-6	78	92	34	118	114	0.299	32
AEYT08050	80x50	89.6±0.3	97	3.0	60.5±0.3	67	2.2	3	86	98	43	126	123	0.355	26
AEYT08065	80x65	89.6±0.3	97	3.0	76.6±0.3	83	2.5	14	98	106	54	138	141	-	20
AEYT10042	100x42	114.8±0.4	124	3.5	48.5±0.3	54	2.2	-14	96	112	36	146	134	-	22
AEYT10050	100x50	114.8±0.4	124	3.5	60.5±0.3	67	2.2	-8	98	118	42	148	143	0.512	16
AEYT10065	100x65	114.8±0.4	124	3.5	76.6±0.3	83	2.5	3	110	125	53	160	160	0.614	14
AEYT10080	100x80	114.8±0.4	124	3.5	89.6±0.3	97	3.0	19	118	132	69	168	172	0.692	10
AEYT125100	125x100	140.9±0.4	151	4.5	114.8±0.4	124	3.5	19	150	171	84	215	221	1.505	5
AEYT150100	150x100	166.1±0.5	178	5.5	114.8±0.4	124	3.5	6	165	185	86	245	235	1.820	4
AEYT200150	200x150	217.3	227	5.5	166.1±0.5	178	5.5	9	224	243	114	329	325	3.858	2

- Notes:** 1. The tolerance for Z1, Z2, and Z3 is ± 2mm.
2. L1, L2, and L3 are the standard dimensions.



CROSS SECTIONAL VIEW

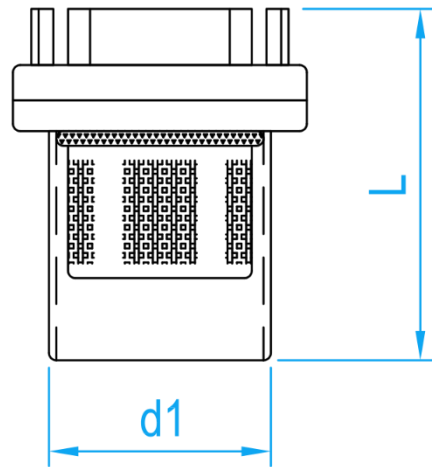
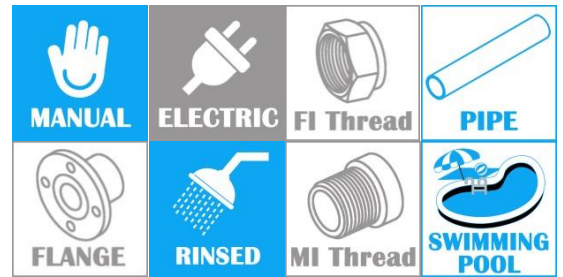
DIMENSIONS

SKU	DN	d1 (mm)	d2 (mm)	D (mm)	T-Min (mm)	L (mm)	WEIGHT (Kg)	PCS/CTN
AEEC042	42	48.5±0.3	47.5±0.3	54	2.2	22	0.023	480
AEEC050	50	60.5±0.3	59.5±0.3	67	2.2	25	0.041	240
AEEC065	65	76.6±0.3	75.4±0.3	83	2.5	35	0.067	120
AEEC080	80	89.6±0.3	88.3±0.3	97	3.0	40	0.085	100
AEEC100	100	114.8±0.4	113.2±0.4	124	3.5	50	0.186	48
AEEC125	125	140.9±0.4	139.1±0.4	151	4.5	65	0.376	30
AEEC150	150	166.1±0.5	163.9±0.5	178	5.5	80	0.543	12
AEEC200	200	217.4±0.6	214.6±0.6	227	5.5	105	0.959	6

- Notes:**
1. This product is injection molded.
 2. Out of the scope of the AS38 standard.

ESLON VU/AE SCREW CAP

COMPLY WITH JIS K 6739



CROSS SECTIONAL VIEW

DIMENSIONS

SKU	DN	d1 (mm)	L (mm)	WEIGHT (Kg)	PCS/CTN
AESC042	42	23.85±0.3	44.25	0.058	240
AESC050	50	30.20±0.3	47.83	0.072	132
AESC065	65	37.81±0.3	58.23	0.128	68
AESC080	80	44.30±0.3	65.55	0.180	48
AESC100	100	56.80±0.4	76.80	0.287	24
AESC125	125	69.81±0.4	98.01	0.561	10
AESC150	150	82.19±0.5	117.20	0.902	6

- Notes:**
1. This product is injection molded.
 2. Out of the scope of the AS38 standard.