

ERA[®]

SINCE 1993



WEBSITE LINK

PVC VALVES PLASTIC PIPING SYSTEM

CHINA ERA GROUP
YONGGAO Co., Ltd.

VERSION
NUMBER
201901

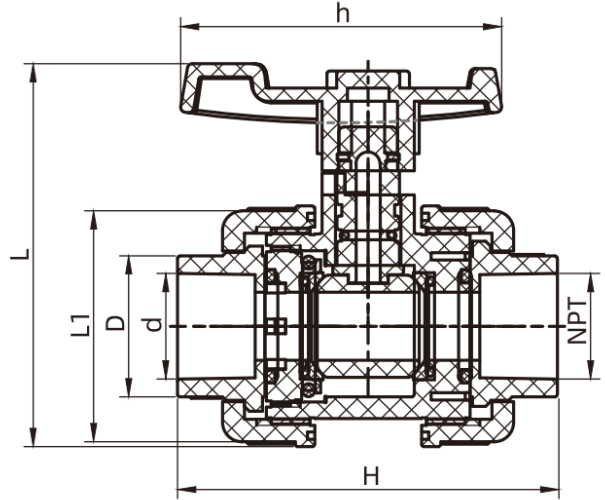


SR-CU



TRUE UNION BALL VALVE

- END CONNECTOR: THREAD, SOCKET
- WORKING PRESSURE: 150PSI



COMPONENT PARTS

ITEM	PARTS	MATERIAL	QTY
1	Stem	PVC, CPVC, PP	1
2	Handle	ABS	1
3	Stem O-Ring	EPDM, FPM(NBR)	2
4	Union Nut	PVC, CPVC, PP	2
5	End Connector	PVC, CPVC, PP	2
6	Body O-Ring	EPDM, FPM(NBR)	2

COMPONENT PARTS

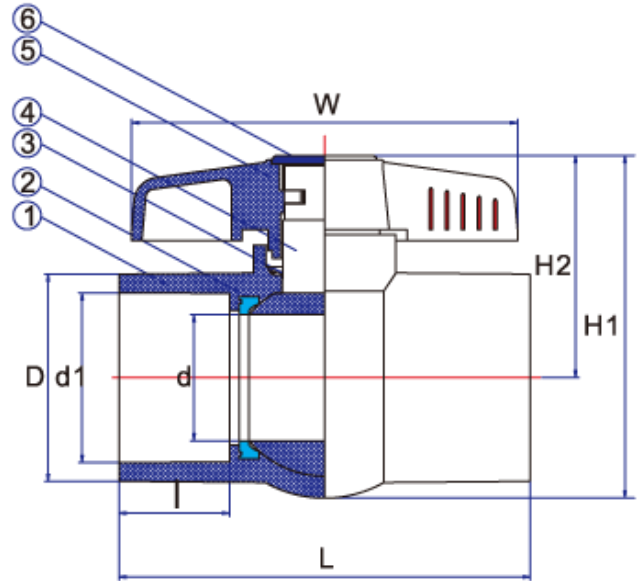
ITEM	PARTS	MATERIAL	QTY
7	O-Ring	EPDM, FPM(NBR)	2
8	Body	PVC, CPVC, PP	1
9	Ball	PVC, CPVC, PP	1
10	Seat Seal	PTFE	2
11	Seat Carrier	PVC, CPVC, PP	1
12	Carrier O-Ring	EPDM, FPM(NBR)	1

DIMENSIONS

SKU	NPT	BSPT	JIS	BS	ANSI	DIN	D	d	L	L1	H	h	WEIGHT (kg)	PCS/CTN
	Thd./in	Thd./in	d1(mm)	d1(mm)	d1(mm)	d1(mm)	(mm)	(mm)	(mm)	(mm)	(mm)	(mm)		
BVAWEU015	14.0	14	22	22	21.34	20	29.0	21.7	78.8	47.5	78.6	66.2	0.123	70
BVAWEU020	14.0	14	26	26	26.67	25	35.0	27.2	88.8	58.1	88.4	76.2	0.190	50
BVAWEU025	11.5	11	32	34	33.40	32	42.9	32.4	100.6	65.5	101.6	86.8	0.280	30
BVAWEU035	11.5	11	38	42	42.16	40	52.0	40.4	127.2	80.0	128.2	109.9	0.475	38
BVAWEU042	11.5	11	48	48	48.26	50	62.0	48.0	136.1	91.1	142.2	136.1	0.642	30
BVAWEU050	11.5	11	60	60	60.33	63	75.7	60.5	160.6	112.1	168.5	144.9	1.133	12
BVAWEU065	8.0	11	76	76	73.03	75	87.7	75.5	200.0	135.6	217.0	181.7	1.650	6
BVAWEU080	8.0	11	89	89	88.90	90	105.7	90.5	228.3	163.0	242.0	207.3	3.060	2
BVAWEU100	8.0	11	114	114	114.30	110	75.7	60.5	160.6	112.1	168.5	144.9	5.145	2

COMPACT BALL VALVE[SOCKET END]

- END CONNECTOR: SOCKET
- WORKING PRESSURE: 150PSI



COMPONENT PARTS

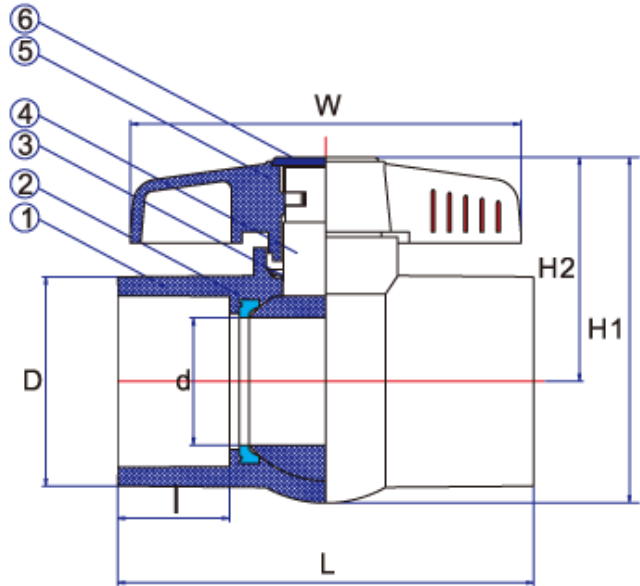
ITEM	PARTS	MATERIAL	QTY
1	Body	PVC, CPVC, PP	1
2	Seat Seal	TPE, PTEE	2
3	O-Ring	EPDM, FPM(NBR)	1
4	Ball	PVC, CPVC, PP	1
5	Handle	ABS	1
6	Cap	ABS	1

DIMENSIONS

SKU	JIS d1(mm)	BS d1(mm)	ANSI d1(mm)	DIN d1(mm)	d (mm)	D (mm)	L (mm)	I (mm)	W (mm)	H1 (mm)	H2 (mm)
BVAWE015	22	22	21.34	20	14.5	32.0	80.0	22.0	68.5	64.3	44.9
BVAWE020	26	26	26.67	25	20.0	36.8	92.0	25.0	80.5	76.0	52.0
BVAWE025	32	34	33.40	32	24.0	45.0	106.0	28.0	100.0	94.0	65.0
BVAWE035	38	42	42.16	40	30.0	53.5	112.5	28.0	108.0	103.0	70.0
BVAWE042	48	48	48.26	50	34.0	62.0	129.0	33.0	108.0	112.0	73.5
BVAWE050	60	60	60.33	63	44.0	75.5	148.0	39.5	138.0	126.0	81.0
BVAWE065	76	76	73.00	75	56.0	92.5	177.5	39.5	192.5	166.0	108.5
BVAWE080	89	89	88.90	90	71.0	107.0	209.0	48.0	192.5	181.0	116.0
BVAWE100	114	114	114.30	110	86.0	134.5	294.0	78.0	262.0	236.0	151.5

COMPACT BALL VALVE [THREAD END]

- END CONNECTOR: THREAD
- WORKING PRESSURE: 150PSI



COMPONENT PARTS

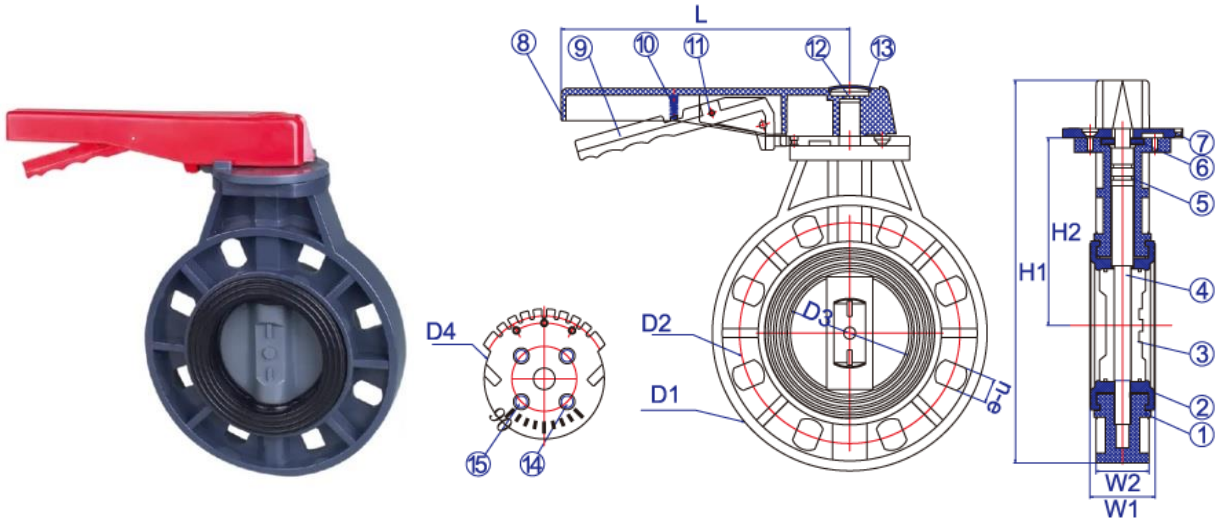
ITEM	PARTS	MATERIAL	QTY
1	Body	PVC, CPVC, PP	1
2	Seat Seal	TPE, PTEE	2
3	O-Ring	EPDM, FPM(NBR)	1
4	Ball	PVC, CPVC, PP	1
5	Handle	ABS	1
6	Cap	ABS	1

DIMENSIONS

SKU	NPT Thd./in	BSPT Thd./in	d (mm)	D (mm)	L (mm)	I (mm)	W (mm)	H1 (mm)	H2 (mm)
BVAWE015T	14	14	14.5	32.0	80.0	22.0	68.5	64.3	44.9
BVAWE020T	14	14	20.0	36.8	92.0	25.0	80.5	76.0	52.0
BVAWE025T	11.5	11	24.0	45.0	106.0	28.0	100.0	94.0	65.0
BVAWE035T	11.5	11	30.0	53.5	112.5	28.0	108.0	103.0	70.0
BVAWE042T	11.5	11	34.0	62.0	129.0	33.0	108.0	112.0	73.5
BVAWE050T	11.5	11	44.0	75.5	148.0	39.5	138.0	126.0	81.0
BVAWE065T	8	11	56.0	92.5	177.5	39.5	192.5	166.0	108.5
BVAWE080T	8	11	71.0	107.0	209.0	48.0	192.5	181.0	116.0
BVAWE100T	8	11	86.0	134.5	294.0	78.0	262.0	236.0	151.5

BUTTERFLY VALVE

- END CONNECTOR: FLANGE
- WORKING PRESSURE: 200PSI



COMPONENT PARTS

ITEM	PARTS	MATERIAL	QTY
1	Body	PVC	1
2	Seat Seal	EPDM, FPM(NBR)	1
3	Gate	PVC	1
4	Stem	SUS410	1
5	O-Ring	EPDM, FPM(NBR)	2
6	Washer	ABS	1
7	Locking Plate	PVC	1
8	Large Handle	ABS	1

COMPONENT PARTS

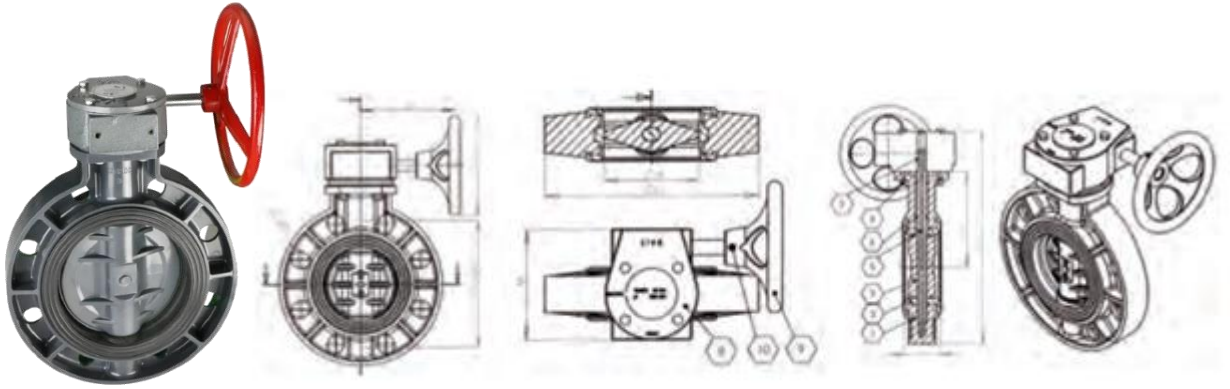
ITEM	PARTS	MATERIAL	QTY
9	Small Handle	ABS	1
10	Spring	SUS304	1
11	Pin	SUS304	1
12	Bolt	SUS304	1
13	Handle Cap	ABS	1
14	Inserted Bolt	SUS304	4
15	Bolt Cap	PVC	4

DIMENSIONS

SKU	D1 (mm)	DIN D2(mm)	JIS D2(mm)	ANSI D2(mm)	D3 (mm)	D4 (mm)	L (mm)	H1 (mm)	H2 (mm)	W1 (mm)	W2 (mm)	DIN n-Øe	JIS n-Øe	ANSI n-Øe
BTFVAWE042	160.1	120.0	100	120.4	55.6	99.7	189.7	223.3	98.3	44.0	32.0	4-20	4-19	4-19
BTFVAWE050	179.8	141.2	140	139.5	68.7	99.7	189.0	247.0	111.6	48.3	32.4	4-18	4-19	4-19
BTFVAWE065	195.0	156.4	140	139.5	83.9	99.7	238.5	282.6	132.5	51.9	36.3	8-20	4-19	4-19
BTFVAWE080	228.1	183.0	150	152.4	103.2	99.7	239.5	319.4	155.4	54.5	44.1	8-20	8-19	8-19
BTFVAWE100	257.0	210.9	175	190.5	129.5	139.0	309.8	368.0	170.3	66.5	54.6	8-21.5	8-19	8-19
BTFVAWE150	285.4	238.5	240	241.5	151.1	140.0	309.8	400.8	187.5	73.1	56.4	8-24	8-23	8-22
BTFVAWE200	342.6	292.4	295	298.5	198.6	140.0	309.8	473.0	230.1	92.0	72.2	8-24	12-23	8-23

[HAND WHEEL] BUTTERFLY VALVE

- END CONNECTOR: FLANGE
- WORKING PRESSURE: 200PSI



COMPONENT PARTS

ITEM	PARTS	MATERIAL	QTY
1	Body	PVC/CPVC/PPG	1
2	Seat Seal	EPDM/FPM	1
3	Disc	PVC/CPVC/PPG	1
4	Bolt	304	1
5	Stem	STEEL/304/316	1

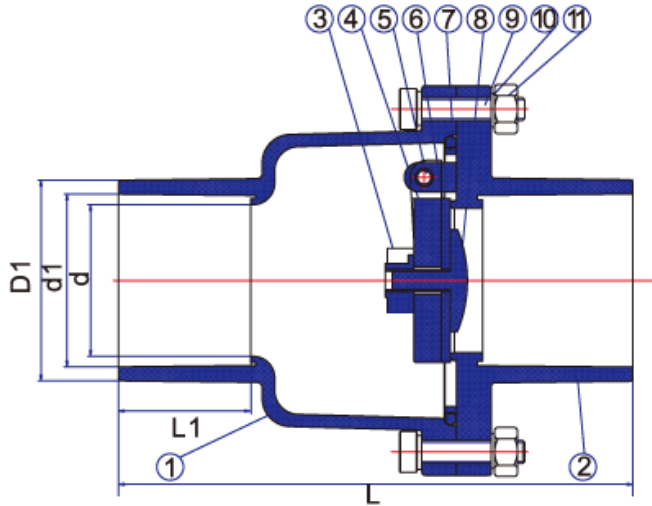
COMPONENT PARTS

ITEM	PARTS	MATERIAL	QTY
6	O-Ring	EPDM/FPM	2
7	Key	STEEL	1
8	Gear Box	IRON	1
9	Hand Wheel	IRON	1
10	Pin	STEEL	1

DIMENSIONS

SKU	D (mm)	PCD ØD1			d1 (mm)	L (mm)	Ø1 (mm)	L1 (mm)	H1 (mm)	H (mm)	M (mm)	N (mm)	N-Øe			PN	
		DIN (mm)	JIS (mm)	ANSI (mm)									DIN	JIS	ANSI	PSI	MPa
BTFVAWE250	412	350	355	362	255	98	280	220	260	551	180	130	12-25	12-25	12-25	100	100
BTFVAWE300	460	400	400	432	302	108	280	220	280	595	180	130	12-25	12-25	16-25	0.6	0.6

SWING CHECK VALVE



COMPONENT PARTS

ITEM	PARTS	MATERIAL	QTY
1	Exit Body	PVC	1
2	Entrance Body	EPDM, FPM(NBR)	1
3	Gate Nut	PVC	1
4	Disk	SUS410	1
5	Pin	EPDM, FPM(NBR)	1
6	Sheet Gasket	ABS	1

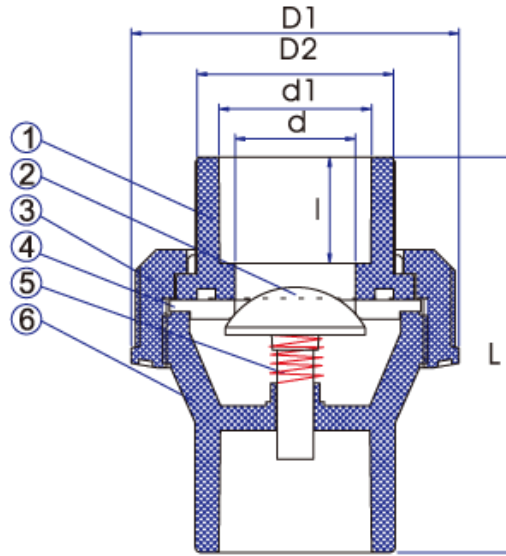
COMPONENT PARTS

ITEM	PARTS	MATERIAL	QTY
7	O-Ring	ABS	1
8	Sheet Gasket Holder	SUS304	1
9	Bolt	SUS304	See table
10	Washer	SUS304	See table
11	Nut	ABS	See table

DIMENSIONS

SKU	JIS d1(mm)	BS d1(mm)	ANSI d1(mm)	DIN d1(mm)	d (mm)	D1 (mm)	L1 (mm)	L (mm)	N-Øe
SCVAWE065	76	76	73.03	75	68.3	89.0	58.0	226.2	8
SCVAWE080	89	89	88.90	90	83.0	103.6	73.0	264.4	8
SCVAWE100	114	114	114.30	110	101.0	131.6	90.0	358.0	8
SCVAWE150	165	166	168.30	160	147.0	182.0	113.0	422.4	12

SINGLE UNION SPRING CHECK VALVE



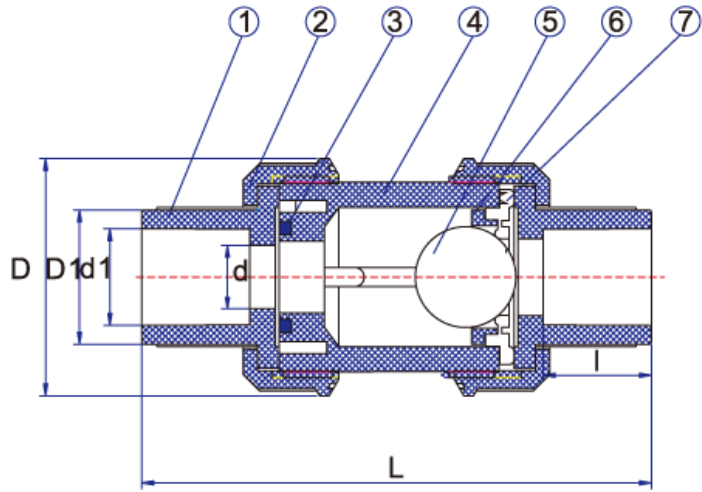
COMPONENT PARTS

ITEM	PARTS	MATERIAL	QTY
1	Union Connector	PVC	1
2	Gate	PVC	1
3	Union Nut	PVC	1
4	Space Seal	EPDM, FPM(NBR)	1
5	Spring	STAINLESS STEEL	1
6	Body	PVC	1

DIMENSIONS

SKU	NPT Thd./in	BSPT Thd./in	JIS d1(mm)	BS d1(mm)	ANSI d1(mm)	DIN d1(mm)	d (mm)	D2 (mm)	D1 (mm)	l (mm)	L (mm)
CVawe015	14	14	22	22	21.34	20	16	27.5	51.3	20.5	80.0
CVawe020	14	14	26	26	26.67	25	19	35.5	65.5	22.0	86.5
CVawe025	11.5	11	32	34	33.40	32	24	41.5	73.7	28.0	96.0
CVawe035	11.5	11	38	42	42.16	40	32	51.6	86.8	30.0	105.0
CVawe042	11.5	11	48	48	48.26	50	40	60.9	102.0	34.7	115.5
CVawe050	11.5	11	60	60	60.33	63	49.8	75.0	119.8	40.0	141.0

BALL CHECK VALVE



COMPONENT PARTS

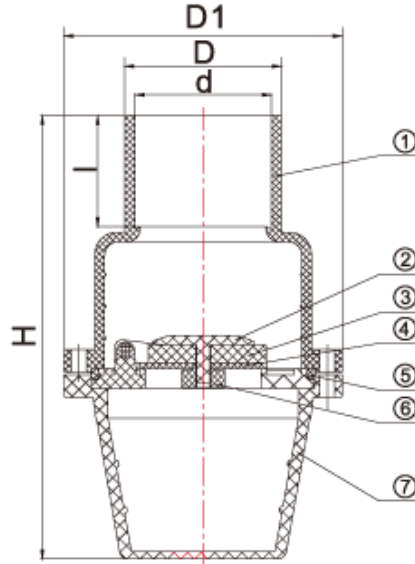
ITEM	PARTS	MATERIAL	QTY
1	End Connector	PVC	2
2	Union Nut	PVC	2
3	Stem O-Ring	EPDM, FPM(NBR)	1
4	Body	PVC	1
5	Ball	PVC	1
6	Gland	PVC	1
7	Seat	EPDM, FPM(NBR)	1

DIMENSIONS

SKU	NPT Thd./in	BSPT Thd./in	JIS d1(mm)	BS d1(mm)	ANSI d1(mm)	DIN d1(mm)	d (mm)	D1 (mm)	D (mm)	l (mm)	L (mm)
BCVAWE015	14	14	22	22	21.34	20	15.0	27.5	51.3	20.5	105.0
BCVAWE020	14	14	26	26	26.67	25	19.5	35.0	65.5	25.0	116.5
BCVAWE025	11.5	11	32	34	33.40	32	25.0	41.6	73.7	28.0	130.5
BCVAWE035	11.5	11	38	42	42.16	40	32.0	51.6	86.8	29.5	148.5
BCVAWE042	11.5	11	48	48	48.26	50	40.0	60.9	102.0	34.0	168.5
BCVAWE050	11.5	11	60	60	60.33	63	50.0	75.0	119.8	40.0	189.0

[SOCKET END] FOOT VALVE

- END CONNECTOR: SOCKET



COMPONENT PARTS

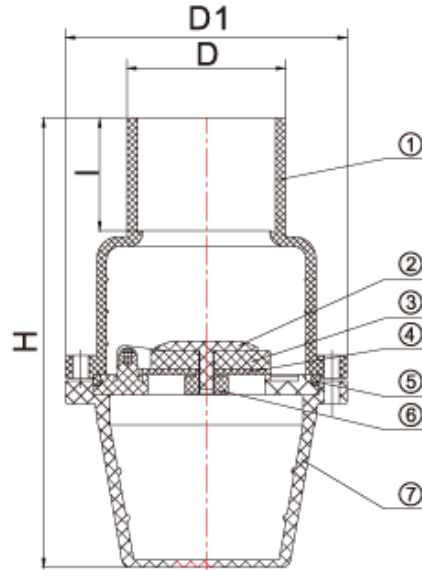
ITEM	PARTS	MATERIAL	QTY
1	Body	PVC	1
2	Connector	EPDM, FPM(NBR)	1
3	Spring	STAINLESS STEEL	1
4	Gate	PVC	1
5	Seal	EPDM, FPM(NBR)	1
6	Body	PVC	1

DIMENSIONS

SKU	JIS d(mm)	BS d(mm)	ANSI d(mm)	DIN d(mm)	D (mm)	D1 (mm)	I (mm)	L (mm)
FVAWE015	22	22	21.34	20	31.0	43.7	31.0	137.0
FVAWE020	26	26	26.67	25	35.5	43.7	32.5	141.0
FVAWE025	32	34	33.40	32	41.9	43.7	32.8	141.0
FVAWE035	38	42	42.16	40	51.0	78.0	35.0	195.3
FVAWE042	48	48	48.26	50	60.3	78.0	56.0	217.4
FVAWE050	60	60	60.33	63	72.5	78.0	57.0	217.4
FVAWE065	76	76	73.03	75	90.0	171.6	73.5	293.4
FVAWE080	89	89	88.9	90	76.4	183.8	58.2	252.0
FVAWE100	114	114	114.3	110	115.0	216.0	91.0	360.0
FVAWE150	165	168.3	168.3	160	161.0	291.0	120.0	500.0

[THREAD END] FOOT VALVE

• END CONNECTOR: THREAD



COMPONENT PARTS

ITEM	PARTS	MATERIAL	QTY
1	Body	PVC	1
2	Connector	EPDM, FPM(NBR)	1
3	Spring	STAINLESS STEEL	1
4	Gate	PVC	1
5	Seal	EPDM, FPM(NBR)	1
6	Body	PVC	1

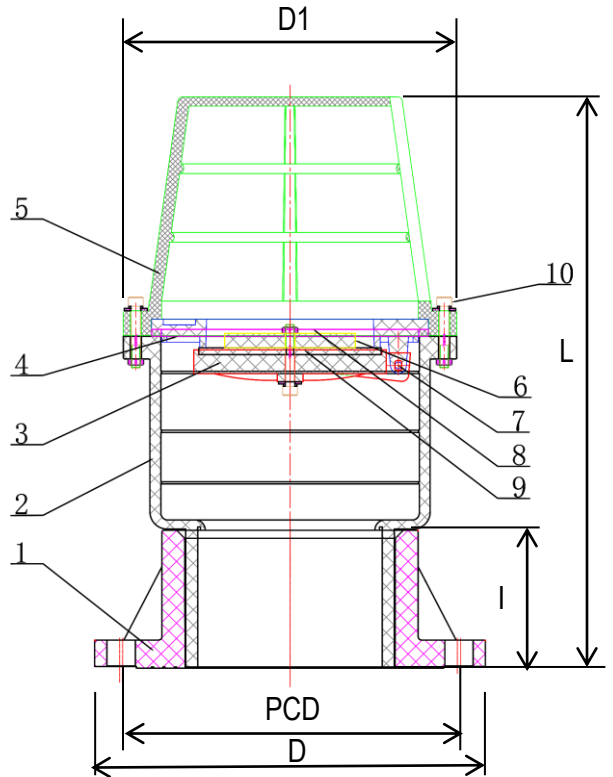
DIMENSIONS

SKU	NPT Thd./in	BSPT Thd./in	D (mm)	D1 (mm)	I (mm)	L (mm)
FVAWE015T	14	14	31.0	43.7	31.0	137.0
FVAWE020T	14	14	35.5	43.7	32.5	141.0
FVAWE025T	11.5	11	41.9	43.7	32.8	141.0
FVAWE035T	11.5	11	51.0	78.0	35.0	195.3
FVAWE042T	11.5	11	60.3	78.0	56.0	217.4
FVAWE050T	11.5	11	72.5	78.0	57.0	217.4
FVAWE065T	8	11	90.0	171.6	73.5	293.4
FVAWE080T	8	11	76.4	183.8	58.2	252.0
FVAWE100T	8	11	115.0	216.0	91.0	360.0
FVAWE150T	8	11	161.0	291.0	120.0	500.0

FOOT VALVE (FLANGED END)



• END CONNECTOR: FLANGE



COMPONENT PARTS

ITEM	PARTS	MATERIAL	QTY
1	Flange	PVC	1
2	Upper Body	PVC	1
3	Spool	PVC	1
4	Spool Seat	PVC	1
5	Connector	PVC	1

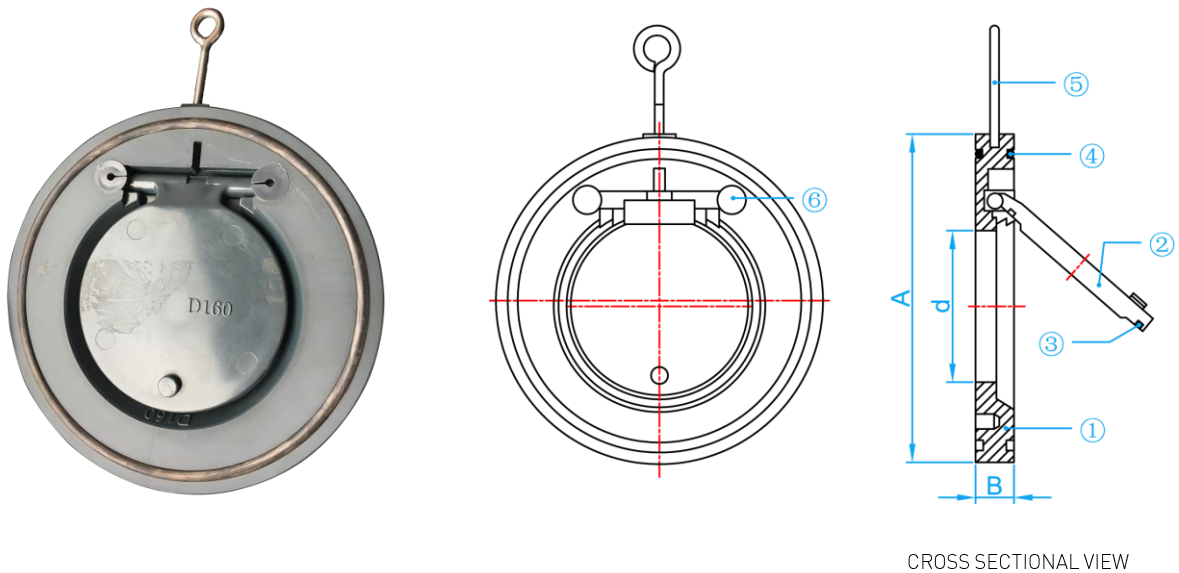
COMPONENT PARTS

ITEM	PARTS	MATERIAL	QTY
6	Spool Fixing Plate	PVC	1
7	Seal	EPDM, FPM(NBR)	1
8	Gasket	EPDM, FPM(NBR)	1
9	Pin	AISI314	1
10	Fixings	AISI304	13

DIMENSIONS

SKU	JIS D(mm)	PN10 D(mm)	PCD (mm)	Bolt Hole N-Ø	D1 (mm)	I (mm)	L (mm)	WEIGHT (kg)	PCS/ CTN
FVAWE200F	330	/	290	12-23	341.0	102.5	499.2	20.2	2
FVAWE200FPN10	/	335	295	8-23	341.0	102.5	499.2	20.2	2

PVC WAFER CHECK VALVES



CROSS SECTIONAL VIEW

COMPONENT PARTS

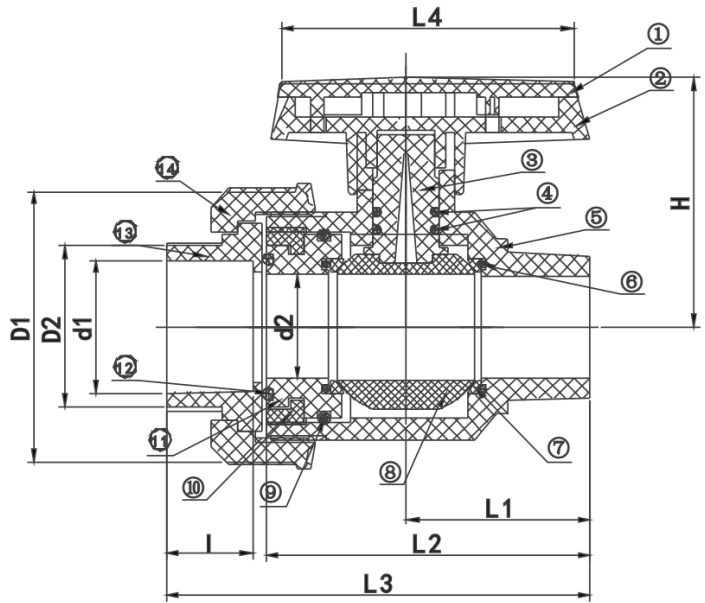
ITEM	PARTS	MATERIAL
1	Body	PVC
2	Flapper	PVC
3	O-ring	EPDM
4	O-ring	EPDM
5	Ring	STEEL
6	Cap	PVC

DIMENSIONS

SKU	SIZE (mm)	D	PN	A (mm)	B [mm]	d [mm]	WEIGHT (kg)
WCVAWE080	80	90	10	140	23	27	0.415
WCVAWE100	100	110	10	160	23	62	0.520
WCVAWE125	125	140	10	192	24	83	0.800
WCVAWE150	150	160	10	218	26	105	1.085
WCVAWE200	200	200	10	273	34	126	1.910
WCVAWE250	250	250	6	328	40	170	3.290
WCVAWE300	300	315	6	380	45	220	4.980

[THREAD, SOCKET END] BALL VALVE

- END CONNECTOR: THREAD, SOCKET



COMPONENT PARTS

ITEM	PARTS	MATERIAL	QTY
1	Cover	PVC-U	1
2	Handle	ABS	1
3	Stem	PVC-U	1
4	Stem O-Ring	EPDM	2
5	Body	PVC-U	1
6	O-Ring	EPDM	2
7	Seat Seal	PTFE	2

COMPONENT PARTS

ITEM	PARTS	MATERIAL	QTY
8	Ball	PVC-U	1
9	O-Ring	EPDM	1
10	Seal	PVC-U	1
11	Seal Carrier	PVC-U	1
12	O-Ring	EPDM	1
13	End Connector	PVC-U	1
14	Union Nut	PVC-U	1

DIMENSIONS

SKU	SIZE	D1 (mm)	D2 (mm)	d1 (mm)	d2 (mm)	L1 (mm)	L2 (mm)	L3 (mm)	L4 (mm)	H (mm)	I (mm)
BVAWEU015MI	1/2"	47.8	26.4	20.3	14	40	67	88.5	59.2	49.8	17
BVAWEU020MI	3/4"	58.8	31.3	25.3	19	43	78	101.5	68.3	57.3	20
BVAWEU025MI	1"	68	38	32.4	32	50	86	112	78.3	64.4	23.4
BVAWEU035MI	1 1/4"	82.4	49	40.4	32.5	56.4	99.3	129.7	89.5	76	26.6
BVAWEU042MI	1 1/2"	94.6	59.5	50.4	40	68.2	115	151.8	101.3	86.6	31.5
BVAWEU050MI	2"	113	73.9	63.4	49.7	78	134	179	124.4	101	38.5
BVAWEU065MI	2 1/2"	128	87.8	67	59.5	90	151.8	203.8	149.9	113.1	44
BVAWEU080MI	3"	181	107.4	90.4	80	120.9	196	254.7	191.6	160	52
BVAWEU100MI	4"	204	132.2	106.5	96	139.5	224.5	295.8	191.6	230.3	62