



**LIANG CHEW
HARDWARE**
联洲五金

CPVC SCH80 PRESSURE PIPES AND FITTINGS

ERA[®]

SINCE 1993

CPVC SCH80 Pressure
Pipes & Fittings

**PLASTIC
PIPING SYSTEM**

CHINA ERA GROUP
ERA PIPING(ZHEJIANG) CO., LTD.

VERSION
NUMBER
202503



WEBSITE LINK



NSF International

789 N. Dixboro Road, Ann Arbor, MI 48105 USA

RECOGNIZES

ERA Co., Ltd. DBA ERA PIPING (ZHEJIANG) Co., Ltd.

Facility: Taizhou, China

AS COMPLYING WITH NSF/ANSI 14, NSF/ANSI/CAN 61, 372 AND ALL
APPLICABLE REQUIREMENTS.

PRODUCTS APPEARING IN THE NSF OFFICIAL LISTING ARE
AUTHORIZED TO BEAR THE NSF MARK.



This certificate is the property of NSF International and must be returned upon request. This certificate remains valid as long as this client has products in NSF's Official Listings for the referenced standards. For the most current and complete Listing information, please access NSF's website (www.nsf.org).

A handwritten signature in black ink, appearing to read "David Purkiss".

December 29, 2022
Certificate# C0337797 - 05

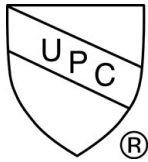
David Purkiss
Vice President, Global Water Division

IAPMO RESEARCH AND TESTING, INC.

5001 E. Philadelphia Street, Ontario, CA 91761 • Phone (909) 472-4100 • Fax (909) 472-4244 • www.iapmort.org



CERTIFICATE OF LISTING



IAPMO Research and Testing, Inc. is a product certification body in which its product certification system includes inspection and testing of samples taken from the supplier's stock or from the market or a combination of both to verify compliance to the requirements of applicable codes and standards. This activity is coupled with periodic surveillance of the supplier's factory and/or warehouses as well as the assessment of the supplier's Quality Assurance System. This listing is subject to the conditions set forth in the characteristics below and is not to be construed as any recommendation, assurance or guarantee by IAPMO Research and Testing, Inc. of the product acceptance by Authorities Having Jurisdiction.

Issued To:

ERA PIPING (ZHEJIANG) CO., LTD.

NO. 1118 HUANGJIAO ROAD HUANGYAN ECONOMIC DEVELOPMENT ZONE TAIZHOU, ZJ 318020, CHINA

Product:

CPVC Hot & Cold Water Fittings

Products are in compliance with the following code(s):

Uniform Plumbing Code (UPC®)

Products are certified to the following standard(s)

ASTM F439-2019

NSF/ANSI 14-2023

File Number: 10909

Revised Date: April 24, 2025

Effective Date: December 2024

Void After: December 2029*


Chairman, Product Certification Committee



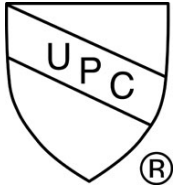

Chief Technical Service Officer

*This certificate is not evidence of current listing. To verify listing status, visit the IAPMO R&T Product Listing Directory at pld.iapmort.org

This listing period is based upon the last date of the month indicated on the Effective Date and Void After Date shown above. Any change in material, manufacturing process, marking or design without having first obtained the approval of the Product Certification Committee, or any evidence of non-compliance with applicable codes and standards or of inferior workmanship, may be deemed sufficient cause for revocation of this listing. Production of or reference to this form for advertising purposes may be made only by specific written permission of IAPMO Research and Testing, Inc. Any alteration of this certificate could be grounds for revocation of the listing. This document shall be reproduced in its entirety.

IAPMO RESEARCH AND TESTING, INC.

CERTIFICATE OF LISTING



Issued To: ERA PIPING (ZHEJIANG) CO., LTD.

File Number: 10909

Product: CPVC Hot & Cold Water Fittings

Effective Date: December 2024

Revised Date: April 24, 2025

Void After: December 2029

This certificate is not evidence of current listing. To verify listing status, visit the IAPMO R&T Product Listing Directory at pld.iapmo.org

Identification:

Manufacturer's name or trademark, ASTM F439 (Sch. 80) "CPVC", and UPC® certification mark. CPVC tubular plastic-to-metal transition fittings shall also bear the designation "CPVC 180° F".

Characteristics:

Schedule 80 chlorinated polyvinyl chloride (CPVC) socket type fittings for CPVC hot and cold water distribution pipe and tubing. To be installed in accordance with the latest editions of IAPMO Installation Standard IS 20 and the Uniform Plumbing Code. To be used with IAPMO listed CPVC plain end water pipe and tubing, CPVC primers and solvent cements.

Products listed on this certificate have been tested by an IAPMO R&T recognized laboratory. This recognition has been granted based upon the laboratory's compliance to the applicable requirements of ISO/IEC 17025.



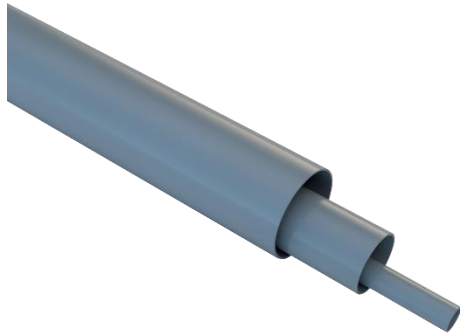
CHLORINATED POLY (VINYL CHLORIDE) (CPVC) PLASTIC PIPE, SCHEDULE 80



PIPE

Colour- Grey

COMPLY WITH ASTM F-441



DIMENSIONS

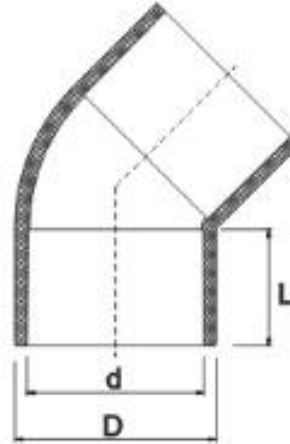
SKU	Outside Diameter (mm)	Wall Thickness Minimum + Tolerance (mm)	WEIGHT (kg)	PCS/BUNDLE
PIPSCH80C015	21.34±0.10	3.73+0.51	2.00	25
PIPSCH80C020	26.67±0.10	3.91+0.51	2.61	20
PIPSCH80C025	33.40±0.13	4.55+0.53	3.77	10
PIPSCH80C035	42.16±0.13	4.85+0.58	5.39	1
PIPSCH80C042	48.26±0.15	5.08+0.61	6.38	1
PIPSCH80C050	60.32±0.15	5.54+0.66	8.70	1
PIPSCH80C065	73.02±0.18	7.01+0.84	14.04	1
PIPSCH80C080	88.90±0.20	7.62+0.91	18.10	1
PIPSCH80C100	114.30±0.23	8.56+1.02	26.91	1
PIPSCH80C125	141.30±0.25	9.52+1.14	36.17	1
PIPSCH80C150	168.28±0.28	10.97+1.32	50.40	1
PIPSCH80C200	219.08±0.38	12.70+1.52	78.30	1



CHLORINATED POLY (VINYL CHLORIDE) (CPVC) PLASTIC PIPE FITTINGS, SCHEDULE80

CPVC SCH80 45DEG ELBOW
Colour- Grey

COMPLY WITH ASTM F-439



DIMENSIONS

SKU	D (mm)	d (mm)	L (mm)	WEIGHT (kg)	PCS/CTN
SCH80CE45015	29.30	21.34	22.70	0.030	300
SCH80CE45020	35.10	26.67	25.90	0.047	168
SCH80CE45025	43.10	33.40	29.10	0.063	114
SCH80CE45035	52.40	42.16	32.30	0.105	72
SCH80CE45042	59.00	48.26	35.40	0.135	40
SCH80CE45050	72.50	60.33	38.60	0.216	28
SCH80CE45065	87.80	73.03	45.00	0.385	36
SCH80CE45080	104.90	88.90	48.10	0.565	21
SCH80CE45100	132.40	114.30	57.60	1.035	12

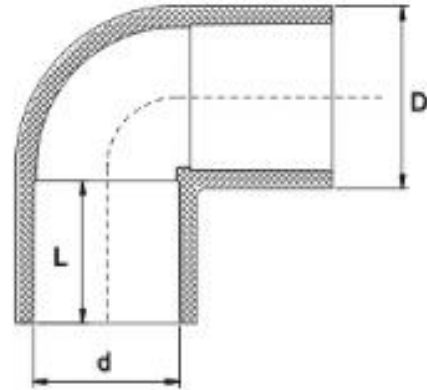


CHLORINATED POLY (VINYL CHLORIDE) (CPVC) PLASTIC PIPE FITTINGS, SCHEDULE80

90DEG ELBOW

Colour- Grey

COMPLY WITH ASTM F-439



DIMENSIONS

SKU	D (mm)	d (mm)	L (mm)	WEIGHT (kg)	PCS/CTN
SCH80CE90015	29.80	21.34	22.70	0.035	250
SCH80CE90020	35.60	26.67	25.90	0.054	140
SCH80CE90025	43.10	33.40	29.10	0.083	90
SCH80CE90035	52.40	42.16	32.30	0.127	54
SCH80CE90042	59.00	48.26	35.40	0.169	32
SCH80CE90050	72.00	60.33	38.6	0.261	22
SCH80CE90065	87.80	73.03	45.00	0.495	30
SCH80CE90080	104.90	88.90	48.10	0.725	17
SCH80CE90100	132.40	114.30	56.60	1.300	9

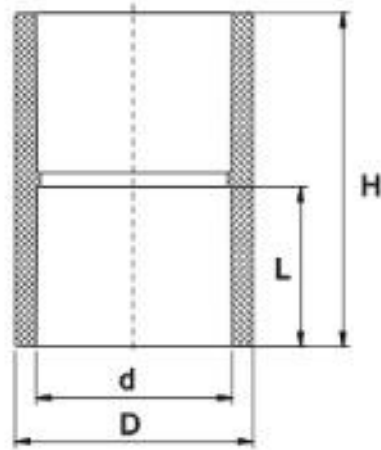


CHLORINATED POLY (VINYL CHLORIDE) (CPVC) PLASTIC PIPE FITTINGS, SCHEDULE80



EQUAL SOCKET
Colour- Grey

COMPLY WITH ASTM F-439



DIMENSIONS

SKU	D (mm)	d (mm)	WEIGHT (kg)	PCS/CTN
SCH80CES015	29.30	21.34	0.024	350
SCH80CES020	35.10	26.67	0.034	240
SCH80CES025	43.10	33.40	0.054	162
SCH80CES035	52.40	42.16	0.078	105
SCH80CES042	59.00	48.26	0.101	80
SCH80CES050	72.00	60.33	0.151	42
SCH80CES065	87.80	73.03	0.268	56
SCH80CES080	104.90	88.90	0.360	30
SCH80CES100	132.40	114.30	0.665	18



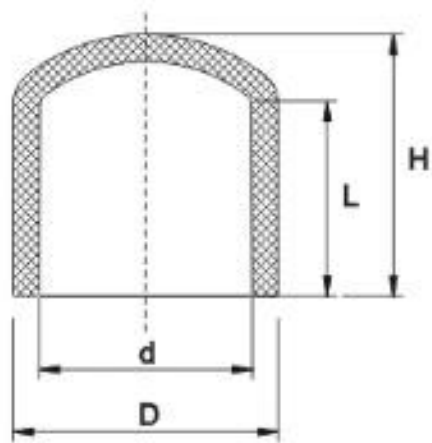
CHLORINATED POLY (VINYL CHLORIDE) (CPVC) PLASTIC PIPE FITTINGS, SCHEDULE80



END CAP

Colour- Grey

COMPLY WITH ASTM F-439



DIMENSIONS

SKU	D (mm)	d (mm)	L (mm)	H (mm)	L (mm)	H (mm)	WEIGHT (kg)	PCS/CTN
SCH80CEC015	27.50	21.34	19.00	22.00	19.00	22.00	0.015	700
SCH80CEC020	34.00	26.67	26.00	30.00	26.00	30.00	0.023	400
SCH80CEC025	40.90	33.40	27.50	30.90	27.50	30.90	0.036	230
SCH80CEC035	50.10	42.16	29.60	33.40	29.60	33.40	0.058	175
SCH80CEC042	56.60	48.26	34.00	38.60	34.00	38.60	0.074	120
SCH80CEC050	69.00	60.33	40.50	44.50	40.50	44.50	0.116	72
SCH80CEC065	84.40	73.40	45.00	51.80	45.00	51.80	0.208	96
SCH80CEC080	101.30	88.90	49.50	57.20	49.50	57.20	0.303	60
SCH80CEC100	128.00	114.30	54.00	61.60	54.00	61.60	0.514	36

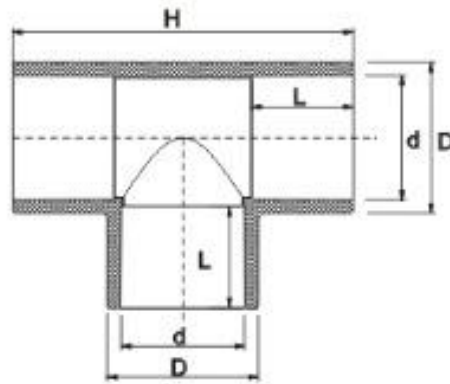


CHLORINATED POLY (VINYL CHLORIDE) (CPVC) PLASTIC PIPE FITTINGS, SCHEDULE 80

EQUAL TEE

Colour- Grey

COMPLY WITH ASTM F-439



DIMENSIONS

SKU	D (mm)	d (mm)	L (mm)	H (mm)	WEIGHT (kg)	PCS/CTN
SCH80CET015	29.30	21.34	22.40	70.80	0.045	165
SCH80CET020	35.40	26.67	25.90	82.40	0.068	111
SCH80CET025	43.10	33.40	29.10	97.60	0.115	55
SCH80CET035	52.40	42.16	32.30	110.90	0.170	38
SCH80CET042	59.00	48.26	35.40	122.70	0.221	24
SCH80CET050	72.00	60.33	38.60	142.70	0.340	17
SCH80CET065	87.80	73.03	45.00	168.20	0.643	21
SCH80CET080	104.90	88.90	48.10	190.20	0.953	10
SCH80CET100	132.40	114.30	57.60	235.60	1.704	6



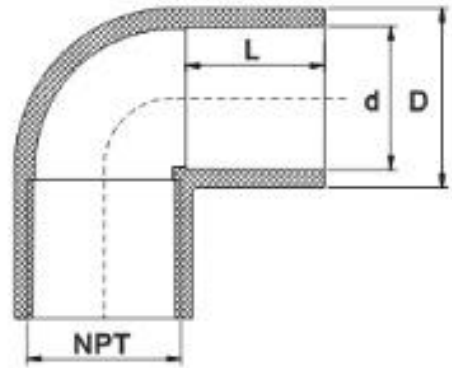
CHLORINATED POLY (VINYL CHLORIDE) (CPVC) PLASTIC PIPE FITTINGS, SCHEDULE80



FI ELBOW

Colour- Grey

COMPLY WITH ASTM F-439
ASTM F-437



DIMENSIONS

SKU	D (mm)	d (mm)	L (mm)	NPT (inch)	WEIGHT (kg)	PCS/CTN
SCH80CFE015	32.50	21.34	22.70	½"	0.053	200
SCH80CFE020	38.10	26.67	25.90	¾"	0.079	129
SCH80CFE025	46.00	33.40	29.10	1"	0.118	90
SCH80CFE035	55.90	42.16	32.30	1 ¼"	0.188	54
SCH80CFE042	63.50	48.26	35.40	1 ½"	0.261	32
SCH80CFE050	76.20	60.33	38.60	2"	0.389	22

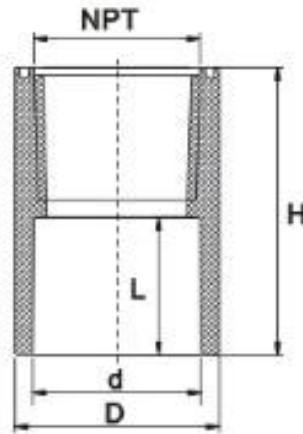


CHLORINATED POLY (VINYL CHLORIDE) (CPVC) PLASTIC PIPE FITTINGS, SCHEDULE80

FI ADAPTOR

Colour- Grey

COMPLY WITH ASTM F-439
ASTM F-437



DIMENSIONS

SKU	D (mm)	d (mm)	H (mm)	L (mm)	NPT (inch)	WEIGHT (kg)	PCS/CTN
SCH80CFS015	32.50	21.34	45.70	22.70	½"	0.035	300
SCH80CFS020	38.10	26.67	54.80	25.90	¾"	0.051	190
SCH80CFS025	46.00	33.40	58.70	29.10	1"	0.075	147
SCH80CFS035	55.90	42.16	64.30	32.30	1 ¼"	0.109	99
SCH80CFS042	63.50	48.26	70.90	35.40	1 ½"	0.152	66
SCH80CFS050	76.20	60.33	74.60	38.60	2"	0.205	42
SCH80CFS065	87.80	73.03	92.30	45.00	2 ½"	0.278	120
SCH80CFS080	104.90	88.90	97.90	48.10	3"	0.384	80
SCH80CFS100	132.40	114.30	109.90	57.60	4"	0.624	48

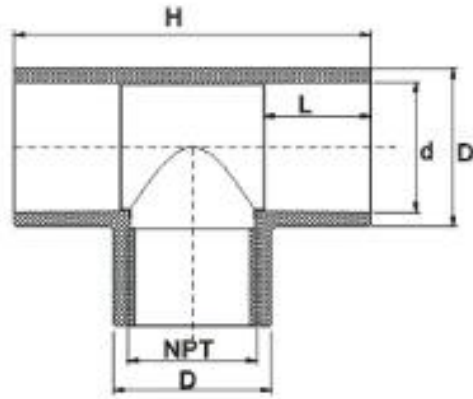


CHLORINATED POLY (VINYL CHLORIDE) (CPVC) PLASTIC PIPE FITTINGS, SCHEDULE80

FI TEE

Colour- Grey

COMPLY WITH ASTM F-439
ASTM F-437



DIMENSIONS

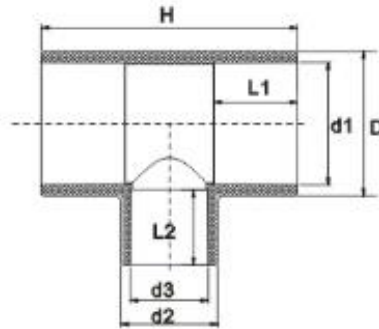
SKU	D (mm)	d (mm)	L (mm)	H (mm)	NPT (inch)	WEIGHT (kg)	PCS/CTN
SCH80CFT015	32.50	21.34	22.70	70.80	½"	0.070	140
SCH80CFT020	38.10	26.67	25.90	82.50	¾"	0.099	100
SCH80CFT025	46.00	33.40	29.10	97.40	1"	0.156	56

CHLORINATED POLY (VINYL CHLORIDE) (CPVC) PLASTIC PIPE FITTINGS, SCHEDULE80

REDUCING TEE

Colour- Grey

COMPLY WITH ASTM F-439



DIMENSIONS

SKU	D (mm)	d1 (mm)	d2 (mm)	d3 (mm)	H (mm)	L1 (mm)	L2 (mm)	WEIGHT (kg)	PCS/CTN
SCH80CRT02015	35.50	26.67	30.00	21.34	79.10	25.90	22.70	0.064	100
SCH80CRT02515	43.10	33.40	29.30	21.34	80.50	29.10	22.70	0.090	88
SCH80CRT02520	43.10	33.40	35.10	26.67	91.00	29.10	25.90	0.099	54
SCH80CRT03515	52.40	42.16	29.30	21.34	92.20	32.30	22.70	0.122	56
SCH80CRT03520	52.40	42.16	35.10	26.67	97.30	32.30	25.90	0.132	50
SCH80CRT03525	52.40	42.16	43.10	33.40	105.80	32.30	29.10	0.154	45
SCH80CRT04215	59.00	48.26	29.30	21.34	97.60	35.40	22.70	0.149	48
SCH80CRT04220	59.00	48.26	35.10	26.67	103.70	35.40	25.90	0.161	36
SCH80CRT04225	59.00	48.26	43.10	33.40	110.50	35.40	29.10	0.185	36
SCH80CRT04235	59.00	48.26	52.40	42.16	118.90	35.40	32.30	0.209	24
SCH80CRT05015	72.00	60.33	29.30	21.34	104.70	38.60	22.70	0.215	30
SCH80CRT05020	72.00	60.33	35.10	26.67	109.70	38.60	25.90	0.228	30
SCH80CRT05025	72.00	60.33	43.10	33.40	115.90	38.60	29.10	0.245	22
SCH80CRT05035	72.00	60.33	52.40	42.16	124.60	38.60	32.30	0.277	18
SCH80CRT05042	72.00	60.30	59.00	48.26	131.60	38.60	35.40	0.293	18

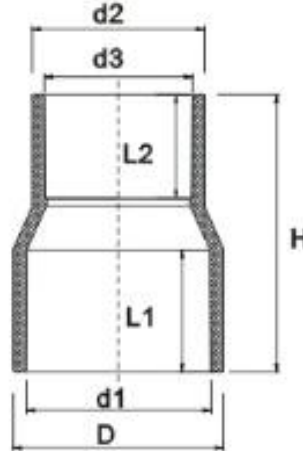
CHLORINATED POLY (VINYL CHLORIDE) (CPVC) PLASTIC PIPE FITTINGS, SCHEDULE80



REDUCING COUPLING

Colour- Grey

COMPLY WITH ASTM F-439



DIMENSIONS

SKU	D (mm)	d1 (mm)	d2 (mm)	d3 (mm)	H (mm)	L1 (mm)	L2 (mm)	WEIGHT (kg)	PCS/CTN
SCH80CRS02015	35.10	26.67	29.30	21.34	57.50	25.90	22.70	0.034	250
SCH80CRS02515	43.40	33.40	29.80	21.34	63.10	29.10	22.70	0.048	270
SCH80CRS02520	43.10	33.40	35.50	26.67	65.40	29.10	25.90	0.054	162
SCH80CRS03515	52.40	42.16	29.30	21.34	66.40	32.30	22.70	0.063	170
SCH80CRS03520	52.40	42.16	35.10	26.67	67.60	33.00	25.90	0.065	170
SCH80CRS03525	52.40	42.16	43.40	33.40	72.20	35.40	28.20	0.075	102
SCH80CRS04215	59.00	48.26	29.30	21.34	70.50	35.40	22.70	0.080	104
SCH80CRS04220	59.00	48.26	35.50	26.67	73.70	35.40	25.90	0.088	104
SCH80CRS04225	59.00	48.26	43.50	33.40	76.90	35.40	28.80	0.095	104
SCH80CRS04235	59.00	48.26	52.40	42.16	80.10	35.40	32.30	0.107	75
SCH80CRS05015	72.00	60.33	29.30	21.34	79.70	38.60	22.70	0.121	72
SCH80CRS05020	72.00	60.33	35.10	26.67	81.40	38.60	25.90	0.118	72
SCH80CRS05025	72.00	60.33	43.10	33.40	84.60	38.60	29.10	0.131	66
SCH80CRS05035	72.00	60.33	52.40	42.16	87.80	38.60	32.30	0.143	54
SCH80CRS05042	72.00	60.33	59.00	48.26	90.90	38.60	35.40	0.151	54

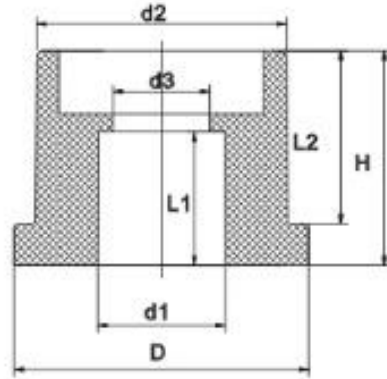
CHLORINATED POLY (VINYL CHLORIDE) (CPVC) PLASTIC PIPE FITTINGS, SCHEDULE80



REDUCING RING

Colour- Grey

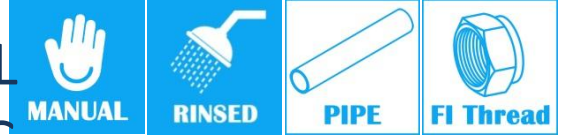
COMPLY WITH ASTM F-439



DIMENSIONS

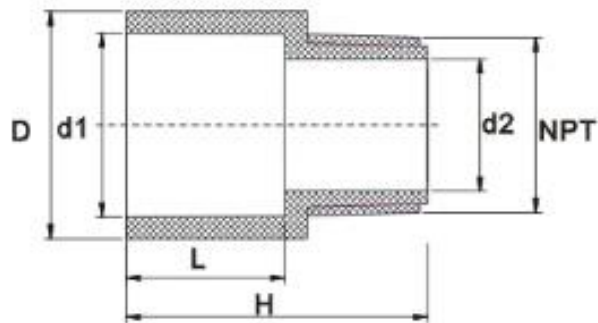
SKU	D (mm)	d1 (mm)	d2 (mm)	d3 (mm)	H (mm)	L1 (mm)	L2 (mm)	WEIGHT (kg)	PCS/CTN
SCH80CRB02015	35.00	21.34	26.67	14.00	32.40	22.20	26.00	0.017	460
SCH80CRB02515	43.00	21.34	33.40	14.00	35.60	22.20	29.00	0.035	280
SCH80CRB02520	43.00	26.67	33.40	18.00	35.60	26.00	29.00	0.026	280
SCH80CRB03515	52.40	21.34	42.16	13.50	40.00	22.70	31.50	0.064	200
SCH80CRB03520	52.40	26.64	42.16	17.80	40.00	25.90	31.50	0.059	150
SCH80CRB03525	52.40	33.40	42.16	24.00	40.00	29.10	31.50	0.046	150
SCH80CRB04215	59.00	21.34	48.26	13.00	43.00	22.70	35.00	0.075	110
SCH80CRB04220	58.50	26.67	48.26	17.30	43.00	25.90	35.00	0.084	110
SCH80CRB04225	59.00	33.40	48.26	24.30	43.00	29.10	35.00	0.071	110
SCH80CRB04235	59.00	42.16	48.26	31.20	43.00	32.30	35.00	0.047	110
SCH80CRB05015	72.00	21.34	60.33	13.00	49.00	22.70	39.00	0.116	80
SCH80CRB05020	72.00	33.40	60.33	23.50	49.00	25.90	39.00	0.118	80
SCH80CRB05025	72.00	26.67	60.33	18.00	48.60	29.10	38.30	0.124	80
SCH80CRB05035	72.00	42.16	60.33	32.00	49.00	32.30	39.00	0.119	80
SCH80CRB05042	72.00	48.26	60.33	36.20	48.60	35.40	38.60	0.1	80
SCH80CRB08042	104.90	48.26	88.90	42.00	55.10	35.50	47.10	0.285	80
SCH80CRB08050	104.90	60.33	88.90	53.80	55.10	38.60	47.10	0.301	80
SCH80CRB10042	132.40	48.26	114.30	42.00	65.10	35.50	56.60	0.464	60
SCH80CRB10050	132.40	60.33	114.30	53.80	65.10	38.60	56.60	0.49	60
SCH80CRB10080	132.40	88.90	114.30	82.00	65.10	48.10	56.60	0.444	60

CHLORINATED POLY (VINYL CHLORIDE) (CPVC) PLASTIC PIPE FITTINGS, SCHEDULE80



MI ADAPTOR
Colour- Grey

COMPLY WITH ASTM F-439
ASTM F-437



DIMENSIONS

SKU	D (mm)	d1 (mm)	d2 (mm)	NPT (inch)	H (mm)	L (mm)	WEIGHT (kg)	PCS/CTN
SCH80CVS015	30.00	21.34	9.40	½"	46.50	23.20	0.021	450
SCH80CVS020	35.80	26.67	14.00	¾"	55.90	25.90	0.033	260
SCH80CVS025	44.00	33.40	18.80	1"	61.00	29.10	0.054	200
SCH80CVS035	53.00	42.16	26.80	1 ¼"	65.50	32.50	0.076	140
SCH80CVS042	60.00	48.26	32.40	1 ½"	70.90	35.40	0.100	96
SCH80CVS050	73.00	60.33	43.30	2"	76.70	38.60	0.149	60
SCH80CVS065	88.20	73.03	51.00	2 ½"	93.20	44.80	0.265	75
SCH80CVS080	104.90	88.90	66.00	3"	99.00	48.10	0.379	100
SCH80CVS100	132.00	114.30	89.90	4"	112.00	57.00	0.617	60

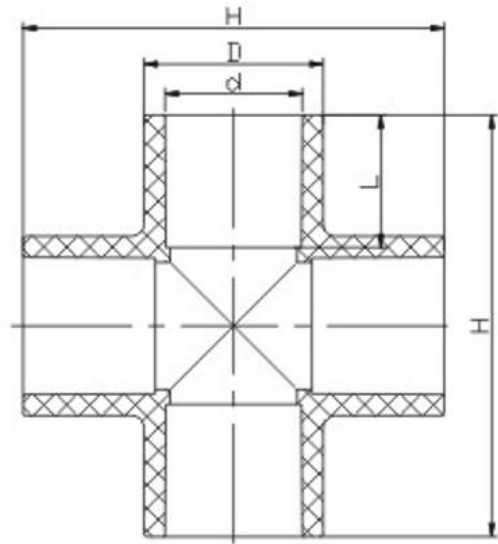


CHLORINATED POLY (VINYL CHLORIDE) (CPVC) PLASTIC PIPE FITTINGS, SCHEDULE80 CROSS

CROSS

Colour- Grey

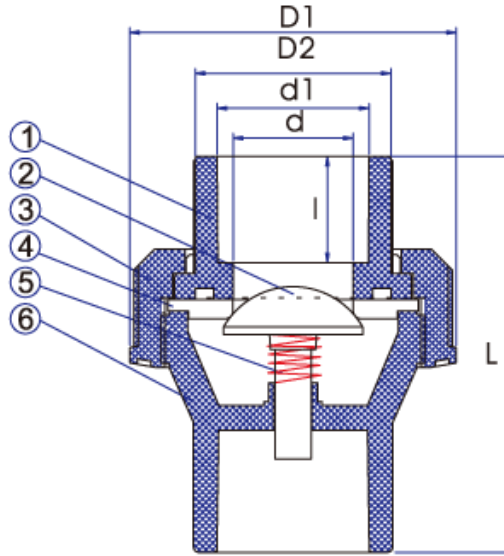
COMPLY WITH ASTM F-439



DIMENSIONS

SKU	D (mm)	d (mm)	L (mm)	H (mm)	WEIGHT (kg)	PCS/CTN
SCH80CCT015	29.4	21.34	23	71.0	0.051	162
SCH80CCT020	35.0	26.67	26	82.5	0.075	120
SCH80CCT025	43.0	33.40	29	97.5	0.121	105
SCH80CCT035	52.0	42.16	32	111.0	0.176	28
SCH80CCT042	59.0	48.26	35	124.0	0.233	18
SCH80CCT050	72.0	60.33	39	143.0	0.356	24

CPVC SINGLE UNION SPRING CHECK VALVE



COMPONENT PARTS

ITEM	PARTS	MATERIAL	QTY
1	Union Connector	CPVC	1
2	Gate	CPVC	1
3	Union Nut	CPVC	1
4	Space Seal	EPDM	1
5	Spring	STAINLESS STEEL	1
6	Body	CPVC	1

DIMENSIONS

SKU	ANSI d1 (mm)	d (mm)	D2 (mm)	D1 (mm)	l (mm)	L (mm)	Weight (kg)	PCS/CTN
CVSCH80C015	21.34	16.0	27.5	51.3	20.5	80.0	0.078	180
CVSCH80C020	26.67	19.0	35.5	65.5	22.0	86.5	0.137	90
CVSCH80C025	33.40	24.0	41.5	73.7	28.0	96.0	0.199	72
CVSCH80C035	42.16	32.0	51.6	86.8	30.0	105.0	0.362	40
CVSCH80C042	48.26	40.0	60.9	102.0	34.7	115.5	0.405	30
CVSCH80C050	60.33	49.8	75.0	119.8	40.0	141.0	0.681	24

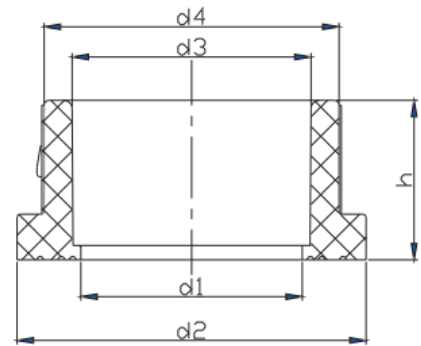
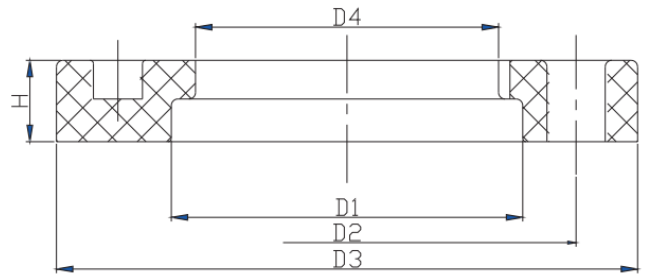
CHLORINATED POLY (VINYL CHLORIDE) (CPVC) PLASTIC PIPE FITTINGS, SCHEDULE 80



VAN STONE FLANGE

Colour- Grey

COMPLY WITH ASTM ANSI

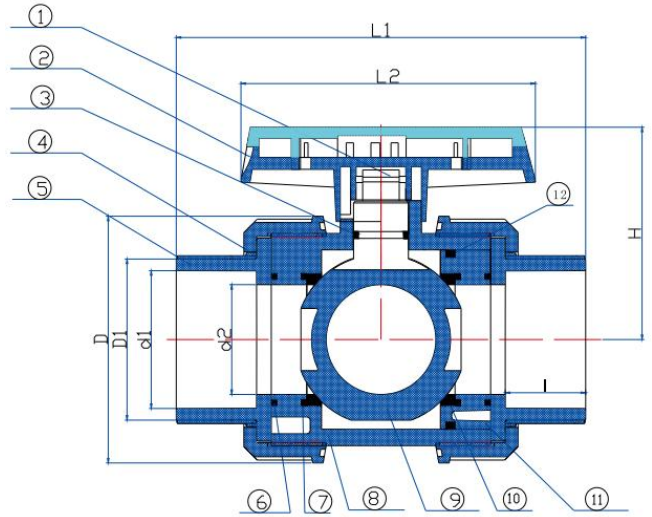


DIMENSIONS

SKU	SIZE (inch)	d1 (mm)	d2 (mm)	d3 (mm)	d4 (mm)	h (mm)	D1 (mm)	D2 (mm)	D3 (mm)	D4 (mm)	H (mm)
SCH80CVSF050	2"	51.0	91.8	60.33	74.6	43.5	92.5	120.0	152.4	77.6	20.5
SCH80CVSF065	2 ½"	68.0	107.2	73.03	90.6	49.0	107.6	140.0	177.6	92.6	24.8
SCH80CVSF080	3"	77.2	119.9	88.90	107.0	54.9	120.6	152.5	191.4	109.4	26.4
SCH80CVSF100	4"	102.4	152.5	114.30	131.8	64.8	153.0	191.0	229.7	134.0	28.5
SCH80CVSF150	6"	156.0	206.0	168.30	189.2	85.0	207.5	241.0	284.0	192.5	32.0
SCH80CVSF200	8"	204.2	260.0	219.08	237.0	119.0	261.0	296.0	342.2	239.0	36.2
SCH80CVSF250	10"	266.3	338.0	273.05	305.9	135.0	308.0	362.0	407.0	/	34.5
SCH80CVSF300	12"	316.4	394.0	323.85	361.5	162.0	363.5	432.0	484.0	/	36.5

CPVC TRUE UNION BALL VALVE

- END CONNECTOR: THREAD, SOCKET, FLANGE
- WORKING PRESSURE: 150PSI



COMPONENT PARTS

ITEM	PARTS	MATERIAL	QTY
1	Stem	CPVC	1
2	Handle	ABS	1
3	Stem O-Ring	EPDM	2
4	Union Nut	CPVC	2
5	End Connector	CPVC	2
6	Body O-Ring	EPDM	2

COMPONENT PARTS

ITEM	PARTS	MATERIAL	QTY
7	O-Ring	EPDM	2
8	Body	CPVC	1
9	Ball	CPVC	1
10	Seat Seal	PTFE	2
11	Seat Carrier	CPVC	1
12	Carrier O-Ring	EPDM	1

DIMENSIONS

SKU	JIS d1(mm)	d2 (mm)	D1 (mm)	D (mm)	I (mm)	L1 (mm)	L2 (mm)	H (mm)	Weight (Kg)	PCS/CTN
BVSCH80CEU015	22	14.0	27.6	51.2	20.6	112.5	65.0	50.5	0.182	120
BVSCH80CEU020	26	18.7	35.6	65.5	24.6	130.2	75.0	58.5	0.318	84
BVSCH80CEU025	32	24.0	41.6	73.7	28.0	142.5	85.0	65.7	0.460	36
BVSCH80CEU035	38	32.0	52.0	86.6	31.0	161.0	97.0	76.5	0.699	30
BVSCH80CEU042	48	40.0	59.5	102.0	31.5	166.5	110.0	86.0	0.987	24
BVSCH80CEU050	60	50.0	75.0	120.0	40.0	214.0	133.5	101.5	1.647	12
BVSCH80CEU065	76	60.0	87.5	135.0	40.0	228.0	161.5	112.5	2.180	6
BVSCH80CEU080	89	79.0	107.5	188.0	48.0	269.0	200.0	160.5	5.095	2
BVSCH80CEU100	114	99.0	132.0	216.0	56.0	309.0	240.0	173.5	7.400	2

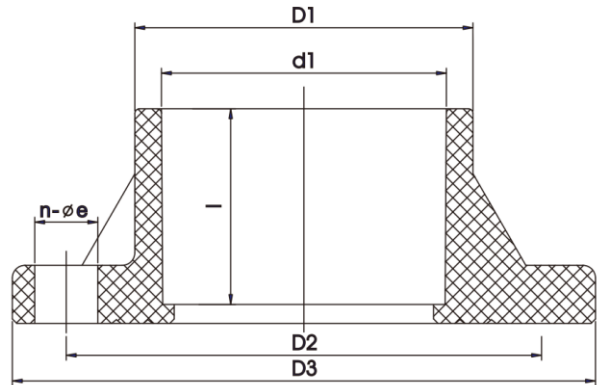
CHLORINATED POLY (VINYL CHLORIDE) (CPVC) PLASTIC PIPE FITTINGS, SCHEDULE80



TS FLANGE

Colour- Grey

COMPLY WITH ASTM F-439



DIMENSIONS

SKU	SIZE (inch)	D1 (mm)	D2 (mm)	D3 (mm)	d1 (mm)	l (mm)	n-Øe (mm)
SCH80CFLS015	½"	30.0	60.5	89.0	21.34	22.0	4-16
SCH80CFLS020	¾"	34.0	70.5	98.0	26.67	23.5	4-16
SCH80CFLS025	1"	42.5	79.5	108.0	33.40	25.5	4-16
SCH80CFLS035	1 ¼"	52.0	89.5	118.0	42.16	32.0	4-16
SCH80CFLS042	1 ½"	61.5	98.5	127.0	48.26	32.5	4-19
SCH80CFLS050	2"	76.0	120.5	151.5	60.33	35.8	4-19
SCH80CFLS065	2 ½"	89.5	139.5	177.3	70.03	41.0	4-19
SCH80CFLS080	3"	107.5	152.5	191.0	88.90	48.5	4-19
SCH80CFLS100	4"	130.5	190.5	228.5	114.30	58.5	8-19

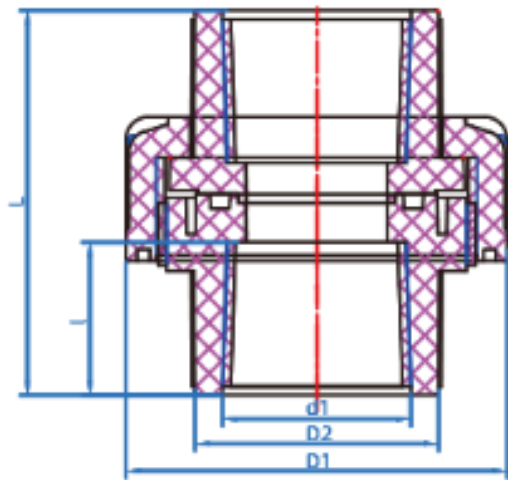


CHLORINATED POLY (VINYL CHLORIDE) (CPVC) PLASTIC PIPE FITTINGS, SCHEDULE80

UNION

Colour- Grey

COMPLY WITH ANSI



DIMENSIONS

SKU	NPT (inch)	d1 (mm)	D2 (mm)	D1 (mm)	l (mm)	L (mm)
SCH80CU015	1/2"	21.5	29.3	48.5	22.7	55.6
SCH80CU020	3/4"	26.9	35.1	59.0	25.9	61.2
SCH80CU025	1"	33.7	43.1	67.4	29.1	68.0
SCH80CU035	1 1/4"	42.4	52.4	78.2	32.3	75.8
SCH80CU042	1 1/2"	48.6	59.0	92.8	35.4	82.5
SCH80CU050	2"	60.6	72.0	113.4	38.6	90.5



251 Airport Industrial Drive, Ypsilanti, MI 48198, USA
1-800.NSF.MARK | +1-734.769.8010 | www.nsf.org

TEST REPORT

Send To: 1Q980

Ms. Debolla
ERA PIPING (ZHEJIANG) Co., Ltd.
No. 1118 Huangjiao Road
Huangyan Economic Dev Zone
Taizhou, Zhejiang
China

Facility: C0337797

ERA PIPING (ZHEJIANG) Co., Ltd.
No. 1118 Huangjiao Road, Jiangkou Street
Huangyan, Taizhou 318020
China

Result	PASS	Report Date	16-JUN-2022
Customer Name	ERA PIPING (ZHEJIANG) Co., Ltd.		
Tested To	ASTM F439-2019 - per NSF/ANSI 14		
Description	Era 1/2" SCH 80 CPVC Elbows		
Trade Designation	Era		
Test Type	Annual Collection		
Job Number	A-00422735		
Project Number	W0724984		
Project Manager	Jiali Hu		

Thank you for having your product tested by NSF.

Please contact your Project Manager if you have any questions or concerns pertaining to this report.

Report Authorization Ata Ciechanowski
Ata Ciechanowski - Director, Engineering Laboratory

Date 16-JUN-2022



P0238 - Marking Requirements

Performance Standard	Yes
Manufacturer's Name or Trademark	Yes
Nominal Size	Yes
Material Designation or Cell Class	Yes
Seal or Mark of Certifying Lab	Yes
Marking Requirements	Pass

P1177 - Hydrostatic Burst Test

Tubing Type	1/2" SCH 80 CPVC Pipe	
Specimens conditioned for	>16	hours
Specimens conditioned at	73	degrees F
Required Test Temperature	73	degrees F
Actual Test Temperature	73	degrees F
Test Environment	air	
Actual Pipe Length	6	inches
Actual Burst Pressure (Minimum)	2752	psi
Hydrostatic Burst Test	Pass	

Test Results	Time Of Testing (seconds)	Failure Description	Final Pressure (psi)
Required			2720
Specimen 1	63	No Failure	2752
Specimen 2	63	No Failure	2752
Specimen 3	63	No Failure	2752
Specimen 4	63	No Failure	2752
Specimen 5	63	No Failure	2752



P3004 - Dimension, Socket Fittings

Specimens conditioned for	>40	hours
Specimens conditioned at	73	degrees F
Specimens tested at	73	degrees F
Relative humidity	50	percent
Dimensions Test, Fittings	Pass	

Test Results	Units	Required	Specimen 1	Specimen 2	Specimen 3
Body Wall Thickness Min	inches	0.184	0.208	0.192	0.201
Socket A Entrance ID Min	inches		0.849	0.848	0.849
Socket A Entrance ID Max	inches		0.851	0.851	0.851
Socket A Entrance ID Avg	inches	0.848 ± 0.004	0.850	0.850	0.850
Socket A Entrance ID OOR Max	inches	0.016	0.002	0.003	0.002
Socket A Bottom ID Min	inches		0.833	0.833	0.833
Socket A Bottom ID Max	inches		0.835	0.834	0.835
Socket A Bottom ID Avg	inches	0.836 ± 0.004	0.834	0.834	0.834
Socket A Bottom ID OOR Max	inches	0.016	0.002	0.001	0.002
Socket A Length Min	inches	0.875	0.891	0.891	0.891
Socket A Wall Thickness Min	inches	0.147	0.158	0.157	0.160
Socket B Entrance ID Min	inches		0.846	0.847	0.847
Socket B Entrance ID Max	inches		0.849	0.850	0.849
Socket B Entrance ID Avg	inches	0.848 ± 0.004	0.848	0.848	0.848
Socket B Entrance ID OOR Max	inches	0.016	0.003	0.003	0.002
Socket B Bottom ID Min	inches		0.834	0.834	0.834
Socket B Bottom ID Max	inches		0.836	0.836	0.836
Socket B Bottom ID Avg	inches	0.836 ± 0.004	0.835	0.835	0.835
Socket B Bottom ID OOR Max	inches	0.016	0.002	0.002	0.002
Socket B Length Min	inches	0.875	0.906	0.906	0.906
Socket B Wall Thickness Min	inches	0.147	0.162	0.162	0.163



Testing Laboratories:

	Flag	Id	Address
All work performed at: (Unless otherwise specified)	----- ----->	NSF_WR	NSF Willow Run 251 Airport Industrial Drive Ypsilanti, MI 48198
	(1)	NSF_WR	NSF Willow Run 251 Airport Industrial Drive Ypsilanti, MI 48198

References to Testing Procedures:

NSF Reference	Parameter / Test Description
P0238	Marking Requirements
P1177	Hydrostatic Burst Test
P3004	Dimension, Socket Fittings

Test descriptions preceded by an asterisk "*" indicate that testing has been performed per NSF requirements but is not within its scope of accreditation.

Unless otherwise indicated, method uncertainties are not applied in any determinations of conformity. Testing utilizes the requested sections of any referenced standards, which may not be the entire standard.

Dates of Laboratory Activity: 10-MAY-2022 to 16-JUN-2022



Summary of Test Results

Family Code 03
Physical Description of Sample 1/2" SCH 80 CPVC Elbows
Print Strip SCH80 CPVC W S 1/2" F439 NSF-PW
Test Description ANNUAL PERFORMANCE TESTING
Trade Designation/Model Number Era

Test Description	Result
Dimensions Test, Fittings	Pass
Hydrostatic Burst Test	Pass
Marking Requirements	Pass

Built For Water



Main Office

(Kitchener Road)

133 Kitchener Road,
Singapore 208517
Official Operating Hours:
Mon – Fri : 8:00am – 5:30pm
Sat, Sun & PH: Closed

Fax: (65) 6296 7195 (Local)
Fax: (65) 6392 1280
(International)

North Office

(Admiralty Street)

North Link Building,
No.10 Admiralty Street,
#02-45,
Singapore 757695
Official Operating Hours:
Mon – Fri : 8:00am –
5:30pm
Sat, Sun & PH: Closed

Fax: (65) 6555 5710

Scan to Contact Us:

