

1477 FITINGS

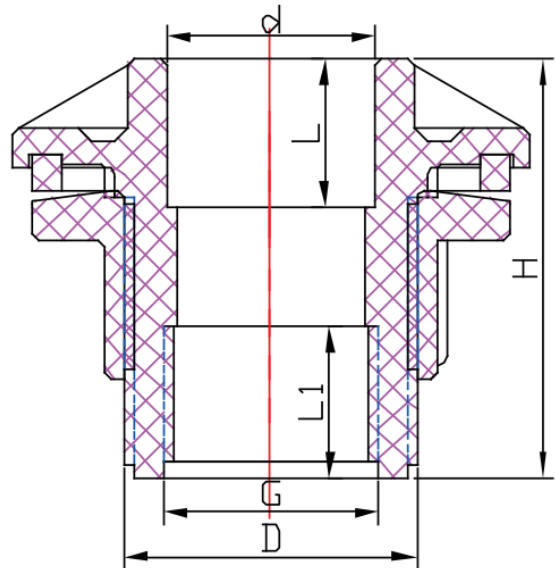
TANK FLANGE ADAPTER F/F

Colour- White

COMPLY WITH AS/NZS 1477

SS 174

SS 375



DIMENSIONS

SKU	D (mm)	D1 (mm)	d1 (mm)	l (mm)	L (mm)	G (inch)	WEIGHT (kg)	PCS/C TN
1477TCF015	30.2	48.0	15.0	17.0	45.5	1/2"	0.083	200
1477TCF020	36.8	55.0	22.0	19.0	51.5	3/4"	0.125	160
1477TCF025	44.0	64.0	26.0	21.0	54.2	1"	0.127	72
1477TCF035	52.0	77.5	32.8	25.9	68.2	1 1/4"	0.148	72
1477TCF040	59.0	86.5	40.0	31.3	74.3	1 1/2"	0.178	60
1477TCF050	72.8	101.0	53.5	37.5	85.2	2"	0.209	48