

ERA[®]

SINCE 1993



WEBSITE LINK

PPR PIPE & FITTINGS PLASTIC PIPING SYSTEM

CHINA ERA GROUP
YONGGAO Co., Ltd.

VERSION
NUMBER
201901



SR-CU





TEST CERTIFICATE

POTABLE WATER FITTINGS SCHEME

Certificate Number : TC-J0299
Issue No: 02

This Certificate is awarded to the following product(s) which has / have complied with the requirements of the listed standard(s) in accordance with Stipulation of Standards and Requirements for Water Fittings for Use in Potable Water Service Installations.

Client : **Liang Chew Hardware Pte Ltd**
 133 Kitchener Road
 Singapore 208517

Product : Polypropylene Pipes & Fittings

Brand / Model : ERA / PPR

Detail : Size (mm): 20, 25, 32, 40, 50, 63, 75, 90 & 110

Test Standard(s) : ISO 15874-2: 2013, ISO 15874-3: 2013, ISO 15874-5: 2013, AS/NZS 4020: 2018, BS EN 12165: 2016, SS 375: 2015

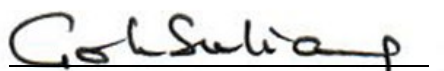
Test Report(s) : 2121048/01-OYC, 2121048/02-OYC, 2121048/03-OYC, 2020855/02-CPC, 2020855/01-CPC, 2020855/03-CPC

A sample of the product submitted was tested and found to comply with the test requirements of the above standard(s).

Date of Original Issue : 11 March 2022

Date of Last Revision : 16 January 2024

Date of Expiry : 10 March 2026


 Head, Certification
 Singapore Test Lab Pte Ltd

This Certificate is part of a full report and should be read in conjunction with it. This Certificate remains the property of Singapore Test Lab Pte Ltd and shall be returned upon request. The use of this Certificate is subjected to the Terms and Conditions of Singapore Test Lab Pte Ltd. The manufacturer is solely responsible for the compliance of any product that has the same designation as the product type tested.



Singapore Test Lab Pte Ltd certifies according to ISO / IEC 17065





SINGAPORE GREEN BUILDING PRODUCT CERTIFICATE

AWARDED TO

Liang Chew Hardware Pte Ltd

133 Kitchener Road
Singapore 208517

FOR THE PRODUCT

Pipe & Fittings - Potable Water

PRODUCT BRAND

ERA

PRODUCT MODEL

Refer to Appendix

THE PRODUCT HAS BEEN ASSESSED ACCORDING
TO THE ASSESSMENT CRITERIA OF SINGAPORE
GREEN BUILDING PRODUCT CERTIFICATION SCHEME.
IT HAS BEEN AWARDED THE RATING:

Director
SGBC Pte Ltd



Certificate Number	Original Issue Date	Revised Date	Valid Till
SGBP 4062	09 June 2023	-	08 June 2025

✓Good ✓✓Very Good ✓✓✓Excellent ✓✓✓✓Leader

The use and reliance on this certificate is subject to the terms and conditions of the Singapore Green Building Product Certification Scheme. Revised certificates may also be issued at the discretion of the Council. The certification status may be verified at the Singapore Green Building Council website (www.sgbc.sg).





SINGAPORE GREEN BUILDING PRODUCT CERTIFICATE

Appendix

Certificate Number: SGBP 4062

Models

PIPPPRPN10 (DN 20mm, 25mm, 32mm, 40mm, 50mm, 63mm, 75mm, 90mm, 110mm); PIPPPRPN20 (DN 20mm, 25mm, 32mm, 40mm, 50mm, 63mm, 75mm, 90mm, 110mm); PPRE45 (DN 20mm, 25mm, 32mm, 40mm, 50mm, 63mm, 75mm, 90mm, 110mm); PPRE90 (DN 20mm, 25mm, 32mm, 40mm, 50mm, 63mm, 75mm, 90mm, 110mm); PPREC (DN 20mm, 25mm, 32mm, 40mm, 50mm, 63mm, 75mm, 90mm, 110mm); PPRET (DN 20mm, 25mm, 32mm, 40mm, 50mm, 63mm, 75mm, 90mm, 110mm); PPRES (DN 20mm, 25mm, 32mm, 40mm, 50mm, 63mm, 75mm, 90mm, 110mm); PPRMIS (DN 20mm, 25mm, 32mm, 40mm, 50mm, 63mm); PPRU (DN 20mm, 25mm, 32mm, 40mm, 50mm, 63mm); PPRFIS (DN 20mm, 25mm, 32mm, 40mm, 50mm, 63mm); PPRMIE (DN 20mm, 25mm, 32mm); PPRFIE (DN 20mm, 25mm, 32mm); PPRFIT (DN 20mm, 25mm, 32mm); PPRMIT (DN 20mm, 25mm, 32mm); PPRSVCP (DN 20mm, 25mm, 32mm); PPRSV (DN 20mm, 25mm, 32mm, 40mm, 50mm, 63mm); PPRCJ (DN 20mm, 25mm, 32mm); PPRBV (DN 20mm, 25mm, 32mm, 40mm, 50mm, 63mm); PPRSCB (DN 20mm, 25mm, 32mm); PPRRS (DN 25mm, 32mm, 40mm, 50mm, 63mm, 75mm, 90mm, 110mm)



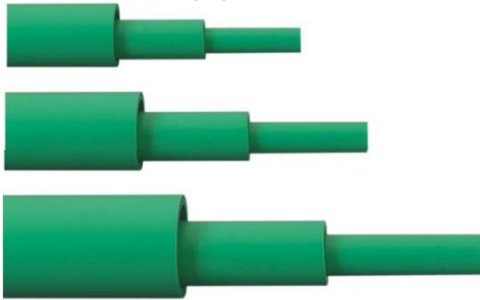
PPR PIPES & FITINGS

PPR PIPE (PN10) For Cold Water

PPR PIPE (PN20) For Hot Water

Colour- Green

COMPLY WITH ISO 15874-2, 3 & 5
SS 375



DIMENSIONS FOR PPR PIPES PN10

SKU	Diameter D (mm)	Wall Thickness (mm)	WEIGHT (kg)
PIPPR020PN10	20.0~20.3	2.3	0.51
PIPPR025PN10	25.0~25.3	2.8	0.76
PIPPR032PN10	32.0~32.3	3.6	1.23
PIPPR040PN10	40.0~40.4	4.5	1.90
PIPPR050PN10	50.0~50.5	5.6	2.96
PIPPR063PN10	63.0~63.6	7.1	4.82
PIPPR075PN10	75.0~75.7	8.4	6.66
PIPPR090PN10	90.0~90.9	10.1	9.53
PIPPR110PN10	110.0~111.0	12.3	14.32

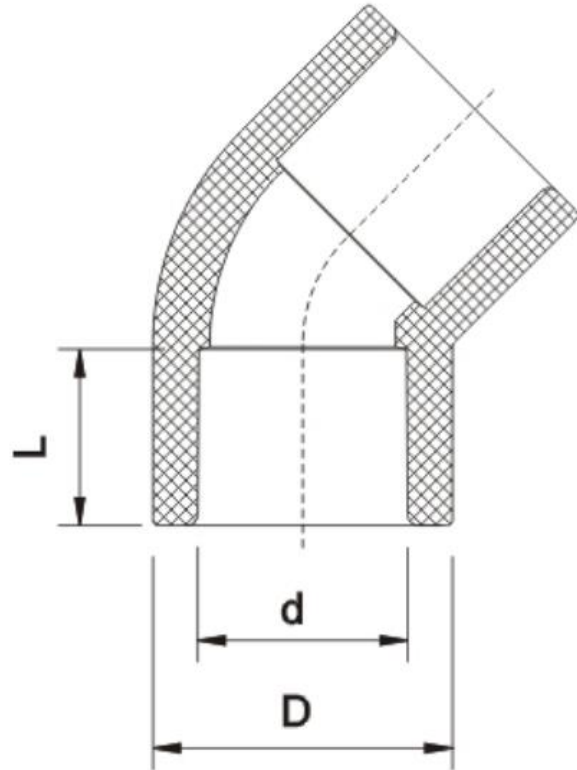
DIMENSIONS FOR PPR PIPES PN20

SKU	Diameter D (mm)	Wall Thickness (mm)	WEIGHT (kg)
PIPPR020PN20	20.0~20.3	3.4	0.69
PIPPR025PN20	25.0~25.3	4.2	1.04
PIPPR032PN20	32.0~32.3	5.4	1.70
PIPPR040PN20	40.0~40.4	6.7	2.62
PIPPR050PN20	50.0~50.5	8.4	4.07
PIPPR063PN20	63.0~63.6	10.5	6.42
PIPPR075PN20	75.0~75.7	12.5	9.09
PIPPR090PN20	90.0~90.9	15.0	13.05
PIPPR110PN20	110.0~111.0	18.3	19.20

PPR PIPES & FITINGS

PPR 45° ELBOW
Colour- Green

COMPLY WITH ISO 15874-2, 3 & 5
SS 375



DIMENSIONS

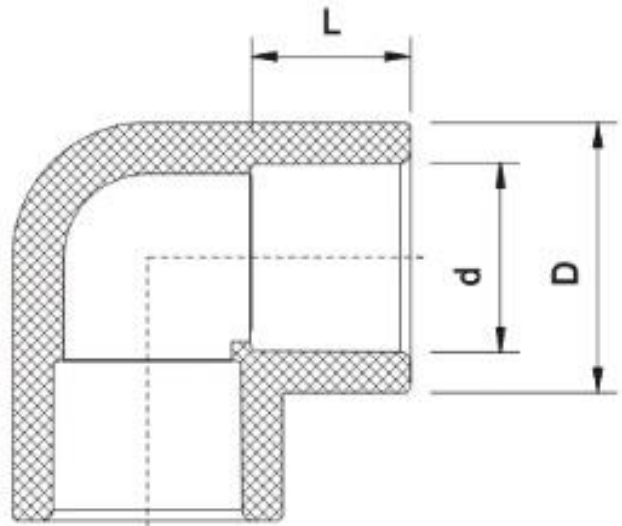
SKU	D (mm)	d (mm)	L (mm)	WEIGHT (kg)	PCS/CTN
PPRE45020	27.4	19.0	15.8	0.013	400
PPRE45025	34.8	24.0	18.1	0.022	250
PPRE45032	42.4	31.0	20.1	0.035	140
PPRE45040	52.1	38.8	22.1	0.060	80
PPRE45050	65.7	48.9	25.1	0.103	36
PPRE45063	83.1	61.7	28.0	0.189	36
PPRE45075	99.0	73.4	30.4	0.304	36
PPRE45090	119.6	88.8	35.1	0.502	16
PPRE45110	146.7	108.3	42.0	0.934	12

PPR PIPES & FITINGS

PPR 90° ELBOW

Colour- Green

COMPLY WITH ISO 15874-2, 3 & 5
SS 375



DIMENSIONS

SKU	D (mm)	d (mm)	L (mm)	WEIGHT (kg)	PCS/CTN
PPRE90020	27.4	19.0	16.1	0.015	360
PPRE90025	34.4	24.0	18.1	0.029	200
PPRE90032	42.1	31.0	20.1	0.045	100
PPRE90040	52.6	38.8	21.7	0.077	70
PPRE90050	66.1	48.9	25.1	0.138	72
PPRE90063	83.1	61.7	28.4	0.259	60
PPRE90075	99.2	73.4	32.0	0.437	24
PPRE90090	119.0	88.8	36.0	0.707	12
PPRE90110	146.7	108.3	42.0	1.303	12

PPR PIPES & FITINGS

PPR FI ELBOW

Colour- Green

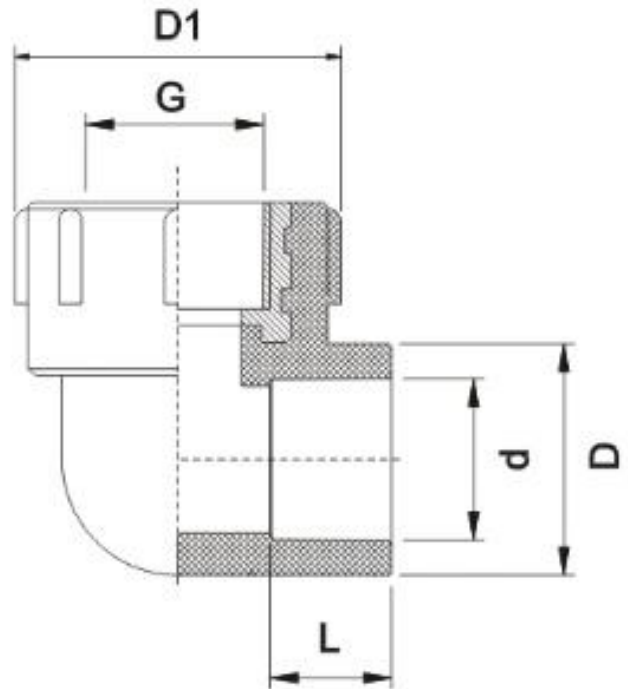
Type of metal - DZR Brass

COMPLY WITH ISO 15874-2, 3 & 5

SS 375

AS/ NZS 4020

BS EN 12165



DIMENSIONS

SKU	D (mm)	d (mm)	G (mm)	L (mm)	D1 (mm)	Weight (kg)	PCS/CTN
PPRFIE02015	27.4	19.0	1/2"	16.1	43.5	0.066	200
PPRFIE02020	28.0	18.6	3/4"	16.2	47.0	0.088	160
PPRFIE02515	34.8	24.0	1/2"	18.1	44.0	0.079	150
PPRFIE02520	34.8	24.0	3/4"	18.1	49.0	0.100	120
PPRFIE03215	42.6	30.6	1/2"	20.1	49.7	0.100	100
PPRFIE03220	42.6	30.6	3/4"	20.1	48.3	0.113	80
PPRFIE03225	42.6	30.6	1"	20.6	65.0	0.241	60

PPR PIPES & FITINGS

PPR MI ELBOW

Colour- Green

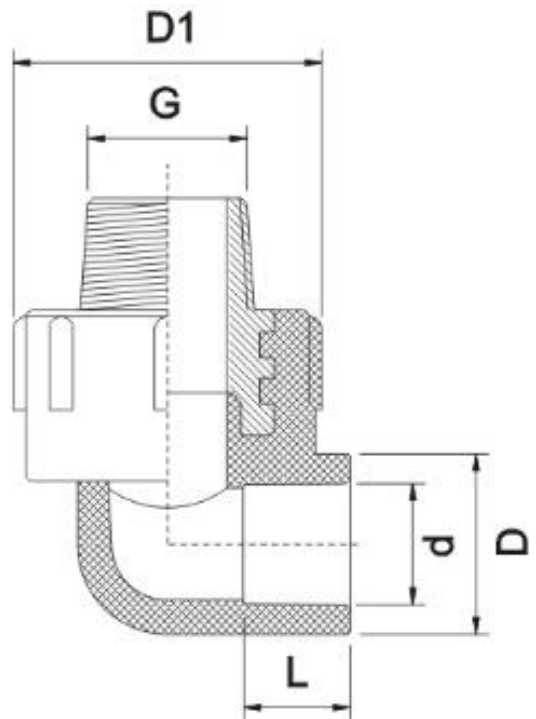
Type of metal - DZR Brass

COMPLY WITH ISO 15874-2, 3 & 5

SS 375

AS/ NZS 4020

BS EN 12165



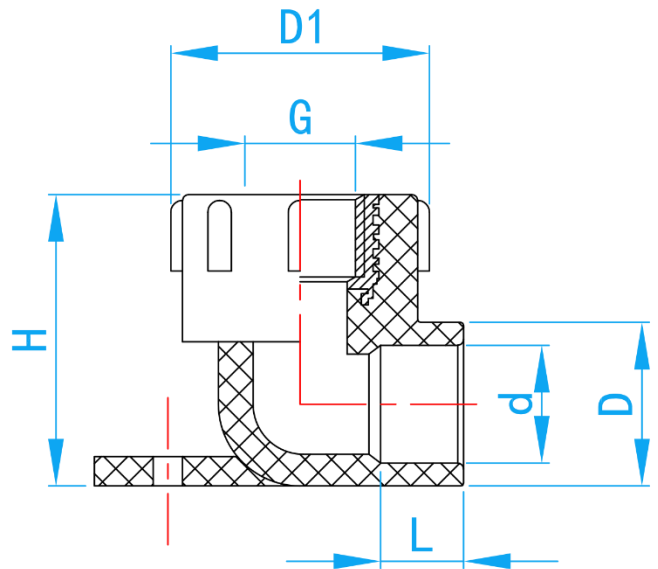
DIMENSIONS

SKU	D (mm)	d (mm)	G (mm)	L (mm)	D1 (mm)	Weight (kg)	PCS/CTN
PPRMIE02015	28.1	19.0	1/2"	16.1	43.5	0.086	160
PPRMIE02020	27.4	18.2	3/4"	16.2	47.0	0.108	120
PPRMIE02515	34.8	24.0	1/2"	18.1	44.0	0.101	120
PPRMIE02520	34.8	24.0	3/4"	18.1	49.0	0.124	100
PPRMIE03215	43.0	30.4	1/2"	20.2	48.6	0.117	80
PPRMIE03220	43.0	30.4	3/4"	20.2	49.0	0.136	80
PPRMIE03225	42.4	30.4	1"	20.8	65.1	0.272	40

PPR PIPES & FITINGS

PPR FI ELBOW WITH BRACKET Colour- Green

COMPLY WITH ISO 15874-2, 3 & 5
SS 375
AS/ NZS 4020
BS EN 12165



DIMENSIONS

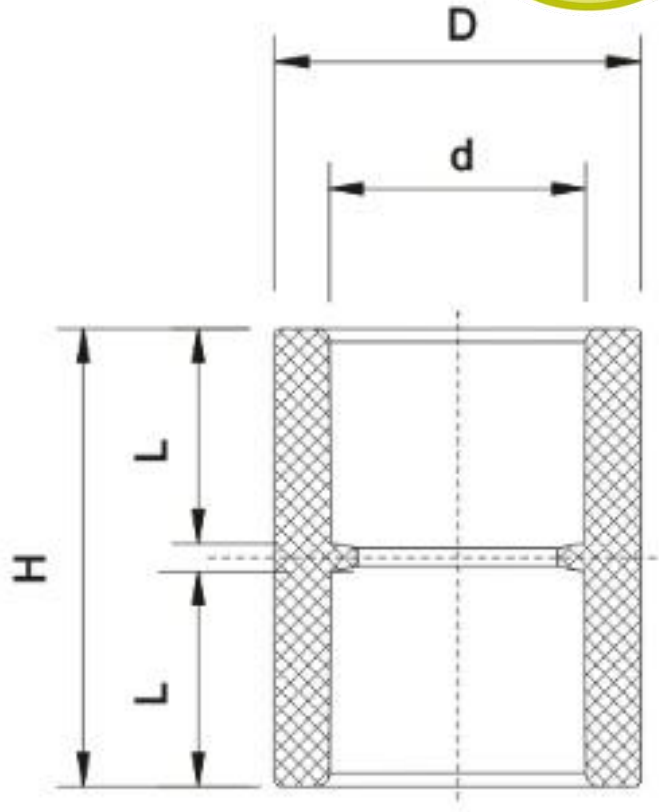
SKU	D (mm)	d (mm)	G (mm)	L (mm)	H (mm)	D1 (mm)	Weight (kg)	PCS/CTN
PPRFE02015	27.4	19.0	½"	16.1	49.3	43.0	0.081	120

PPR PIPES & FITINGS

PPR EQUAL SOCKET

Colour- Green

COMPLY WITH ISO 15874-2, 3 & 5
SS 375



DIMENSIONS

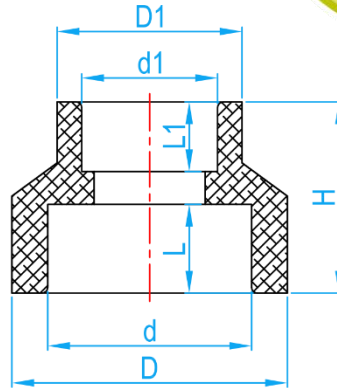
SKU	D (mm)	d (mm)	L (mm)	H (mm)	Weight (kg)	PCS/CTN
PPRES020	27.4	19.0	15.7	34.3	0.009	550
PPRES025	34.8	24.0	17.5	38.0	0.017	300
PPRES032	42.4	30.9	19.2	41.8	0.024	200
PPRES040	52.5	38.8	22.1	47.3	0.042	120
PPRES050	66.3	48.9	25.1	53.8	0.072	120
PPRES063	83.3	61.7	29.1	61.3	0.130	96
PPRES075	99.2	73.4	32.0	68.4	0.212	45
PPRES090	119.0	88.8	36.0	77.0	0.348	36
PPRES110	147.0	108.3	42.0	89.8	0.625	18

PPR PIPES & FITINGS

PPR REDUCING SOCKET

Colour- Green

COMPLY WITH ISO 15874-2, 3 & 5
SS 375



DIMENSIONS

SKU	D (mm)	d (mm)	L (mm)	D1 (mm)	d1 (mm)	L1 (mm)	H (mm)	Weight (kg)	PCS/CTN
PPRS02520	34.8	24.0	18.1	27.4	19.0	16.1	34.4	0.014	400
PPRS03220	42.4	30.9	20.1	27.4	19.0	16.1	38.0	0.020	260
PPRS03225	42.4	30.9	20.1	34.8	24.0	17.4	39.6	0.021	240
PPRS04020	52.6	38.8	22.1	27.4	19.0	16.1	50.0	0.030	140
PPRS04025	52.6	38.8	22.1	34.8	24.0	18.1	49.6	0.035	140
PPRS04032	52.6	38.8	22.1	42.4	30.9	20.1	44.3	0.032	140
PPRS05020	66.0	48.9	25.1	27.4	19.0	16.1	55.9	0.056	144
PPRS05025	66.0	48.9	25.1	34.8	24.0	18.1	57.0	0.057	144
PPRS05032	66.0	48.9	25.1	42.4	30.9	20.1	56.0	0.062	144
PPRS05040	66.0	48.9	25.1	52.6	38.8	22.1	50.2	0.059	96
PPRS06325	82.7	61.7	29.1	34.8	24.0	18.1	62.7	0.106	120
PPRS06332	82.7	61.7	29.1	42.4	30.9	20.1	63.4	0.099	120
PPRS06340	82.7	61.7	29.1	53.0	38.8	22.1	63.3	0.112	120
PPRS06350	82.7	61.7	29.1	66.7	48.9	25.1	56.7	0.112	96
PPRS07540	99.2	73.4	32.0	53.2	38.8	22.1	69.0	0.175	75
PPRS07550	99.2	73.4	32.0	66.6	48.9	25.1	69.0	0.187	75
PPRS07563	99.2	73.4	32.0	83.1	61.7	29.1	66.5	0.189	45
PPRS09050	119.0	88.8	36.0	66.8	48.9	25.1	78.5	0.285	60
PPRS09063	119.6	88.8	39.0	83.1	61.7	29.1	82.7	0.299	48
PPRS09075	119.6	88.8	39.0	99.2	73.4	32.0	74.8	0.316	36
PPRS11063	145.5	108.3	42.0	84.4	61.7	30.0	91.0	0.527	24
PPRS11075	145.5	108.3	42.0	100.0	73.4	32.0	91.4	0.546	24
PPRS11090	146.0	108.3	42.0	121.0	88.8	37.0	82.0	0.528	18

PPR PIPES & FITINGS

PPR FI SOCKET

Colour- Green

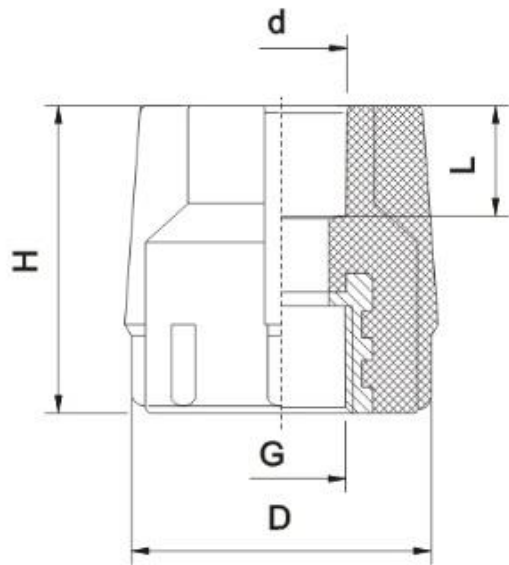
Type of metal - DZR Brass

COMPLY WITH ISO 15874-2, 3 & 5

SS 375

AS/ NZS 4020

BS EN 12165



DIMENSIONS

SKU	D (mm)	d (mm)	G (mm)	L (mm)	H (mm)	Weight (kg)	PCS/CTN
PPRFIS02015	43.6	19.0	1/2"	16.1	45.9	0.063	200
PPRFIS02020	49.0	19.0	3/4"	16.1	46.3	0.087	160
PPRFIS02515	43.6	24.0	1/2"	19.2	45.4	0.065	190
PPRFIS02520	49.5	24.0	3/4"	17.8	45.6	0.086	150
PPRFIS03215	46.8	30.5	1/2"	21.0	46.7	0.074	150
PPRFIS03220	48.8	30.5	3/4"	20.7	47.4	0.086	120
PPRFIS03225	64.4	30.9	1"	20.1	58.3	0.225	75
PPRFIS04035	76.8	38.8	1 1/4"	22.1	71.5	0.345	40
PPRFIS05042	86.0	48.9	1 1/2"	25.1	71.5	0.472	24
PPRFIS06350	95.0	61.7	2"	29.1	94.5	0.615	24
PPRFIS07565	116.7	73.4	2 1/2"	32.0	92.0	0.862	12
PPRFIS09080	135.4	88.8	3"	36.0	105.0	1.364	8
PPRFIS110100	116.0	108.3	4"	42.0	119.8	2.438	8

PPR PIPES & FITINGS

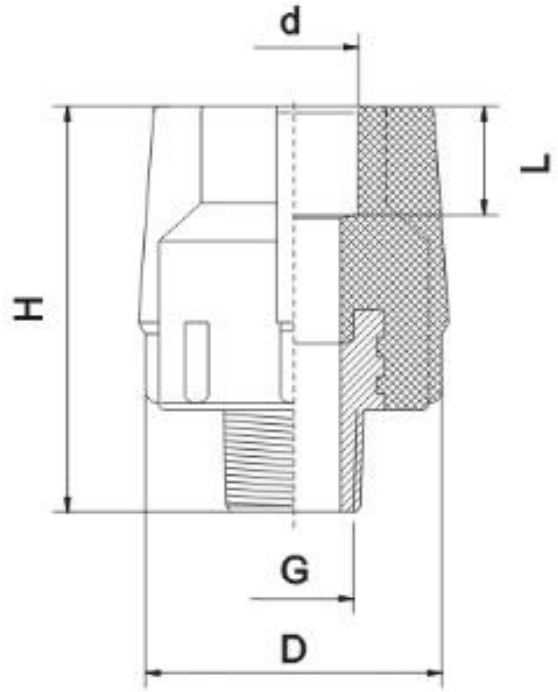
PPR MI SOCKET

Colour- Green

Type of metal – DZR Brass



COMPLY WITH ISO 15874-2, 3 & 5
 SS 375
 AS/ NZS 4020
 BS EN 12165



DIMENSIONS

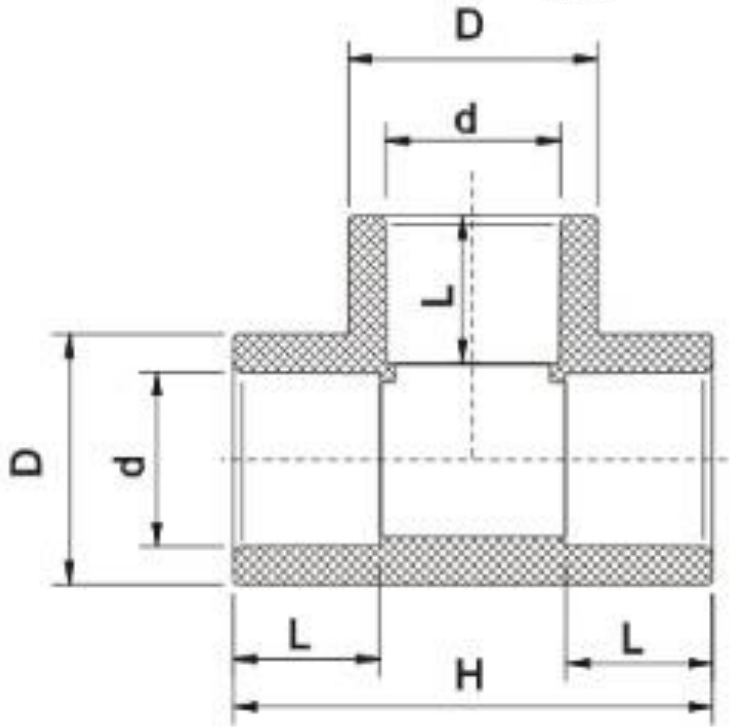
SKU	D (mm)	d (mm)	G (mm)	L (mm)	H (mm)	Weight (kg)	PCS/CTN
PPRMIS02015	44.0	19.0	1/2"	16.1	61.7	0.083	160
PPRMIS02020	48.7	19.0	3/4"	16.1	62.0	0.114	120
PPRMIS02515	44.0	24.0	1/2"	18.1	62.0	0.086	160
PPRMIS02520	49.0	24.0	3/4"	18.1	61.5	0.110	120
PPRMIS03215	46.4	30.5	1/2"	20.1	64.0	0.094	120
PPRMIS03220	49.1	30.5	3/4"	20.1	62.0	0.110	120
PPRMIS03225	64.4	30.9	1"	20.1	78.3	0.254	60
PPRMIS04035	76.8	38.8	1 1/4"	22.1	93.5	0.387	30
PPRMIS05042	86.0	48.9	1 1/2"	25.1	94.4	0.492	24
PPRMIS06350	95.0	61.7	2"	29.1	112.0	0.712	24
PPRMIS07565	116.7	73.4	2 1/2"	32.0	119.0	1.034	12
PPRMIS09080	135.4	88.8	3"	36.0	135.0	1.511	12
PPRMIS110100	166.0	108.3	4"	42.0	155.8	2.539	4

PPR PIPES & FITINGS

PPR EQUAL TEE

Colour- Green

COMPLY WITH ISO 15874-2, 3 & 5
SS 375



DIMENSIONS

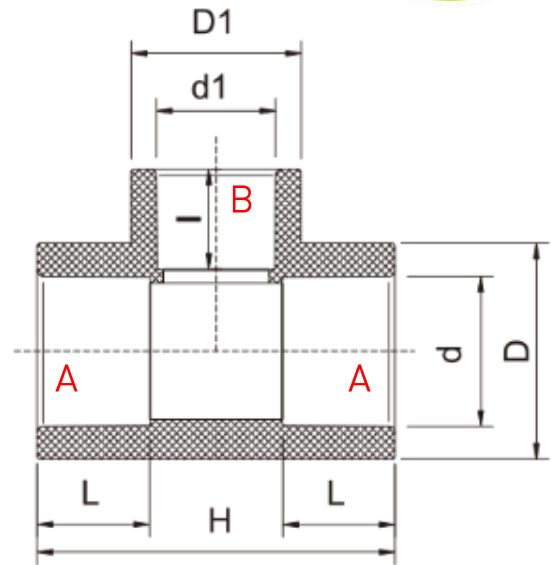
SKU	D (mm)	d (mm)	L (mm)	H (mm)	Weight (kg)	PCS/CTN
PPRET020	27.9	19.0	16.1	53.0	0.019	250
PPRET025	34.8	24.0	18.1	63.0	0.035	140
PPRET032	42.4	30.9	20.1	74.0	0.055	80
PPRET040	52.6	38.8	22.1	85.3	0.092	50
PPRET050	66.1	48.9	25.1	100.7	0.168	40
PPRET063	83.1	61.7	29.1	121.7	0.299	24
PPRET075	99.2	73.4	32.0	141.7	0.501	24
PPRET090	120.0	88.8	36.0	168.3	0.858	8
PPRET110	146.0	108.3	42.0	197.4	1.524	6

PPR PIPES & FITINGS

PPR REDUCING TEE

Colour- Green

COMPLY WITH ISO 15874-2, 3 & 5
SS 375



DIMENSIONS

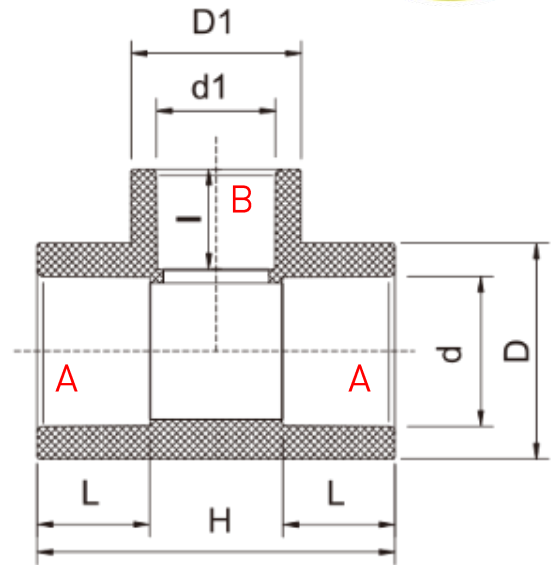
SKU	A×B	D (mm)	D1 (mm)	d (mm)	d1 (mm)	L (mm)	l (mm)	H (mm)	Weight (kg)	PCS/CTN
PPRRT02520	25×20	34.8	27.4	24.0	19.0	18.1	16.1	57.70	0.030	160
PPRRT03220	32×20	42.4	27.4	30.9	19.0	20.1	16.1	62.20	0.041	110
PPRRT03225	32×25	42.4	34.8	30.9	24.0	20.1	17.5	67.30	0.047	90
PPRRT04020	40×20	52.6	28.0	38.8	19.0	22.1	16.1	65.80	0.061	75
PPRRT04025	40×25	52.6	35.3	38.8	24.0	22.1	18.1	70.80	0.072	70
PPRRT04032	40×32	52.6	42.4	38.8	30.9	22.1	21.2	81.00	0.086	55
PPRRT05020	50×20	66.1	28.2	48.9	19.0	25.1	16.0	75.20	0.106	72
PPRRT05025	50×25	66.1	35.4	48.9	24.0	25.1	18.1	77.00	0.111	72
PPRRT05032	50×32	66.1	42.8	48.9	30.9	25.1	20.1	83.40	0.122	72
PPRRT05040	50×40	66.1	53.0	48.9	38.8	25.1	22.1	94.70	0.145	32
PPRRT06320	63×20	83.1	28.0	61.7	19.0	29.1	18.1	83.40	0.179	72
PPRRT06325	63×25	83.1	35.4	61.7	24.0	29.1	18.1	84.40	0.187	36
PPRRT06332	63×32	83.1	42.4	61.7	30.9	29.1	20.1	91.23	0.202	24
PPRRT06340	63×40	83.1	52.6	61.7	38.8	29.1	22.1	103.00	0.231	24
PPRRT06350	63×50	83.1	66.1	61.7	48.9	29.1	25.1	112.60	0.261	24

PPR PIPES & FITINGS

PPR REDUCING TEE

Colour- Green

COMPLY WITH ISO 15874-2, 3 & 5
SS 375



DIMENSIONS

SKU	A×B	D (mm)	D1 (mm)	d (mm)	d1 (mm)	L (mm)	I (mm)	H (mm)	Weight (kg)	PCS/CTN
PPRRT07532	75×32	99.2	42.4	73.4	30.9	32.0	20.9	97.80	0.315	24
PPRRT07540	75×40	100.3	53.2	73.4	38.8	32.0	22.1	106.70	0.350	24
PPRRT07550	75×50	99.2	66.1	73.4	48.9	32.0	25.1	119.90	0.387	24
PPRRT07563	75×63	99.2	83.1	73.4	61.7	31.1	29.1	130.00	0.440	24
PPRRT09040	90×40	119.6	53.4	88.8	38.8	36.0	22.1	114.20	0.513	24
PPRRT09050	90×50	120.6	66.6	88.8	48.9	36.0	25.1	126.50	0.582	24
PPRRT09063	90×63	120.6	84.2	88.8	61.7	36.0	29.1	124.20	0.675	24
PPRRT09075	90×75	120.6	99.2	88.8	73.4	36.0	32.1	145.90	0.739	24
PPRRT11050	110×50	147.5	67.6	107.5	48.9	42.0	26.1	138.20	0.937	12
PPRRT11063	110×63	147.5	84.1	107.5	61.7	42.0	30.0	151.00	1.017	12
PPRRT11075	110×75	147.8	99.9	107.5	73.4	42.0	32.0	162.40	1.137	12
PPRRT11090	110×90	146.2	119.6	107.5	88.8	42.0	36.0	178.00	1.262	12

PPR PIPES & FITINGS

PPR FI TEE

Colour- Green

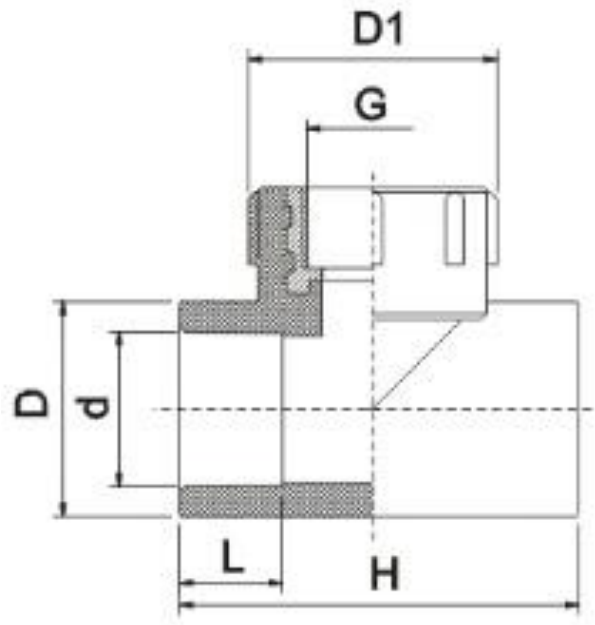
Type of metal - DZR Brass

COMPLY WITH ISO 15874-2, 3 & 5

SS 375

AS/ NZS 4020

BS EN 12165



DIMENSIONS

SKU	D (mm)	d (mm)	L (mm)	G (mm)	H (mm)	D1 (mm)	Weight (kg)	PCS/CTN
PPRFIT02015	27.4	19.0	16.1	½"	56.0	43.6	0.070	160
PPRFIT02020	27.8	19.0	16.2	¾"	62.0	47.0	0.092	120
PPRFIT02515	34.8	24.0	18.1	½"	64.2	44.0	0.084	120
PPRFIT02520	34.8	24.0	18.1	¾"	64.2	49.0	0.105	100
PPRFIT03215	42.8	30.4	20.2	½"	70.0	46.4	0.114	80
PPRFIT03220	42.4	30.4	20.1	¾"	76.0	49.0	0.125	70
PPRFIT03225	42.8	30.4	20.6	1"	81.2	64.5	0.242	50

PPR PIPES & FITINGS

PPR MI TEE

Colour- Green

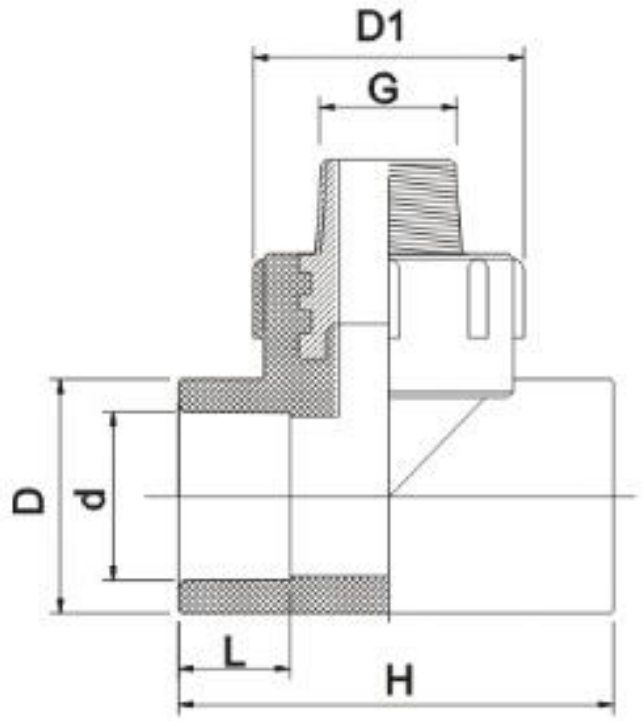
Type of metal – DZR Brass

COMPLY WITH ISO 15874-2, 3 & 5

SS 375

AS/ NZS 4020

BS EN 12165



DIMENSIONS

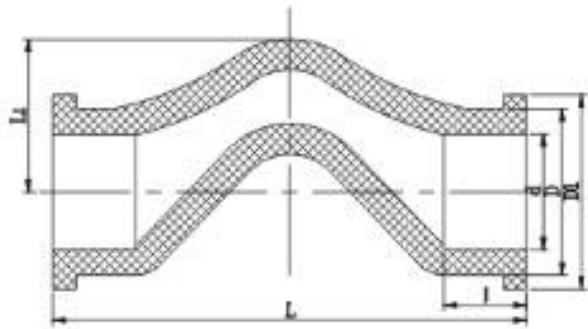
SKU	D (mm)	d (mm)	L (mm)	G (mm)	H (mm)	D1 (mm)	Weight (kg)	PCS/CTN
PPRMIT02015	27.9	19.0	16.1	½"	56.4	43.5	0.089	120
PPRMIT02020	27.4	19.0	16.1	¾"	62.0	47.0	0.111	120
PPRMIT02515	35.2	24.0	18.1	½"	64.2	44.0	0.100	100
PPRMIT02520	35.2	24.0	18.1	¾"	64.2	49.0	0.128	80
PPRMIT03215	42.6	30.2	20.2	½"	70.0	46.4	0.121	60
PPRMIT03220	42.6	30.2	20.2	¾"	76.5	49.0	0.148	60
PPRMIT03225	42.6	30.9	21.2	1"	81.2	65.1	0.287	40

PPR PIPES & FITINGS

PPR CROSS BEND

Colour- Green

COMPLY WITH ISO 15874-2, 3 & 5
SS 375



DIMENSIONS

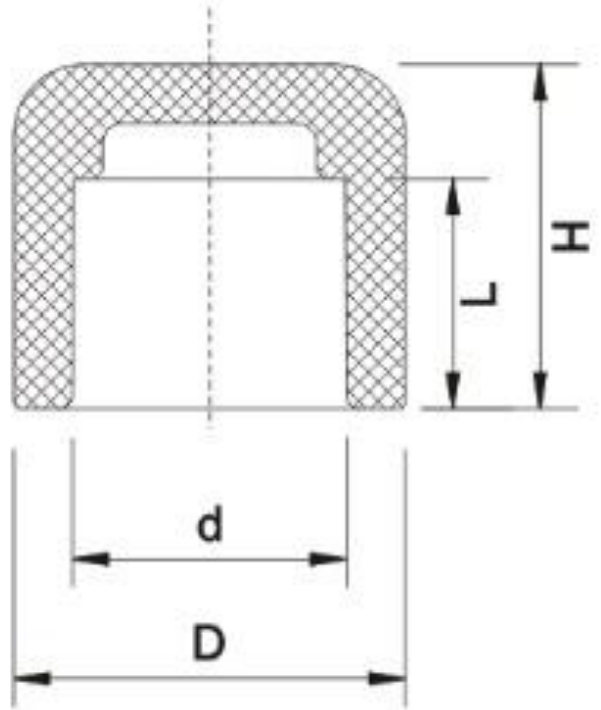
SKU	D1 (mm)	D (mm)	d (mm)	l (mm)	L1 (mm)	L (mm)	Weight (kg)	PCS/CTN
PPRSCB020	32.3	28.0	19.0	15.3	27.4	82.3	0.062	108
PPRSCB025	40.7	34.8	24.0	17.3	32.0	99.2	0.094	70
PPRSCB032	49.2	43.5	30.9	19.9	40.2	118.4	0.146	42

PPR PIPES & FITINGS

PPR END CAP

Colour- Green

COMPLY WITH ISO 15874-2, 3 & 5
SS 375



DIMENSIONS

SKU	D (mm)	d (mm)	L (mm)	H (mm)	Weight (kg)	PCS/CTN
PPREC020	27.4	19.0	16.1	24.3	0.007	850
PPREC025	34.8	24.0	18.1	24.7	0.012	500
PPREC032	42.6	30.9	20.1	30.2	0.020	280
PPREC040	52.5	38.8	22.1	31.2	0.033	190
PPREC050	66.1	48.9	25.1	35.3	0.058	144
PPREC063	82.7	61.7	28.7	41.4	0.108	60
PPREC075	99.2	73.4	34.2	53.2	0.205	36
PPREC090	119.2	88.8	38.0	64.2	0.334	18
PPREC110	145.8	108.3	46.7	69.8	0.533	18

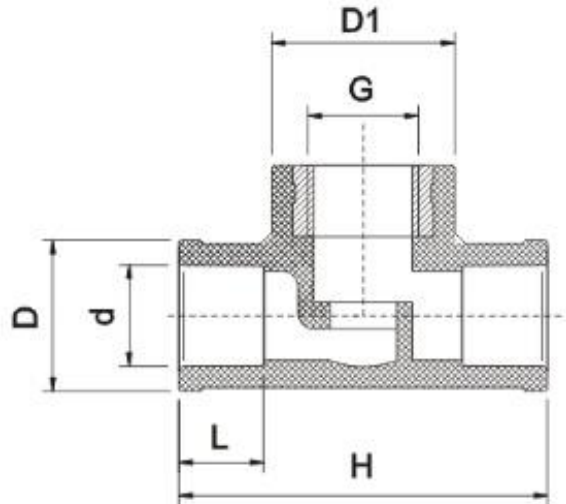
PPR PIPES & FITINGS

PPR STOP VALVE WITH CHROME HANDLE

Colour- Green

Type of metal – DZR Brass

COMPLY WITH ISO 15874-2, 3 & 5
 SS 375
 AS/ NZS 4020
 BS EN 12165



DIMENSIONS

SKU	D (mm)	d (mm)	L (mm)	G (mm)	H (mm)	D1 (mm)	Weight (kg)	PCS/CTN
PPRSV020CP	29.0	19.0	16.1	½"	70.7	34.8	0.268	48
PPRSV025CP	36.8	24.0	18.1	¾"	83.0	44.7	0.377	48
PPRSV032CP	43.4	30.9	20.1	¾"	86.5	45.2	0.393	36

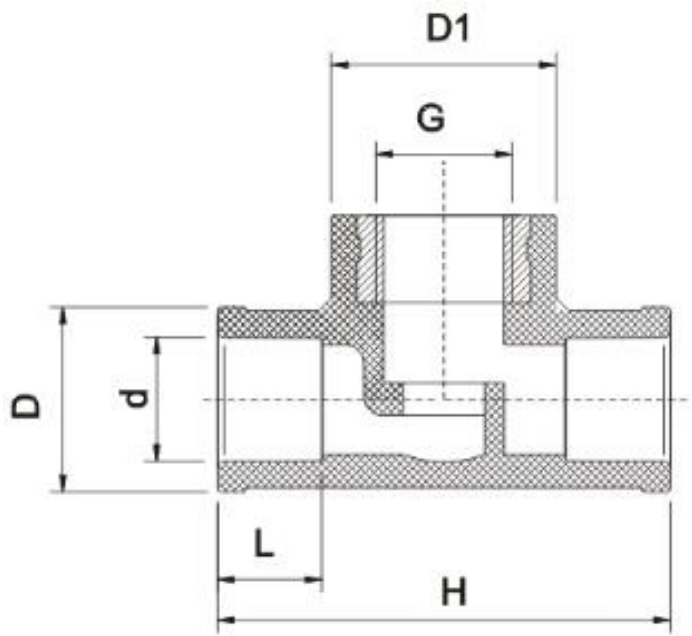
PPR PIPES & FITINGS

PPR STOP VALVE

Colour- Green

Type of metal – DZR Brass

COMPLY WITH ISO 15874-2, 3 & 5
SS 375
AS/ NZS 4020
BS EN 12165



DIMENSIONS

SKU	D (mm)	d (mm)	L (mm)	G (mm)	H (mm)	D1 (mm)	Weight (kg)	PCS/CTN
PPRSV020	29.0	19.0	16.1	½"	70.7	34.8	0.157	48
PPRSV025	36.8	24.0	18.1	¾"	83.0	44.7	0.282	48
PPRSV032	43.4	30.9	20.1	¾"	86.5	45.2	0.300	32
PPRSV040	55.6	38.6	22.5	1"	97.4	55.5	0.421	30
PPRSV050	70.1	48.9	25.5	1 ¼"	121.6	66.3	0.689	24
PPRSV063	87.1	61.7	28.7	1 ½"	133.1	74.8	0.969	24
PPRSV075	103.2	73.4	32.0	2 ¼"	167.6	98.0	1.856	8
PPRSV090	123.6	88.8	36.0	2 ¾"	201.9	118.0	3.109	4
PPRSV110	149.5	107.5	42.0	3 ½"	245.6	147.0	5.122	2

PPR PIPES & FITINGS

PPR BALL COCK

Colour- Green

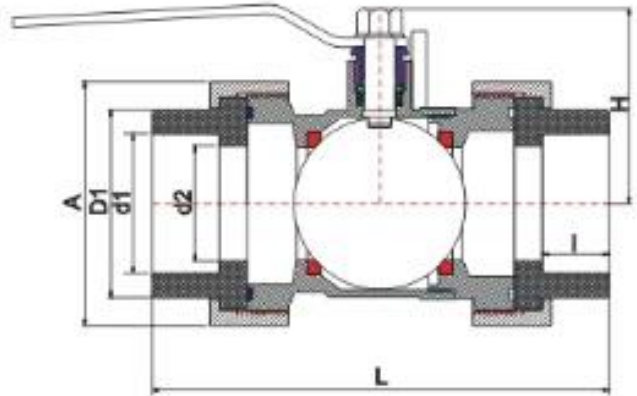
Type of metal - DZR Brass

COMPLY WITH ISO 15874-2, 3 & 5

SS 375

AS/ NZS 4020

BS EN 12165



DIMENSIONS

SKU	D1 (mm)	d1 (mm)	d2 (mm)	l (mm)	L (mm)	H (mm)	A (mm)	Weight (kg)	PCS/CTN
PPRBV020	27.4	19.0	15.0	19.0	92.8	37.5	40.5	0.233	80
PPRBV025	34.8	24.0	20.0	19.0	101.2	45.2	48.4	0.337	64
PPRBV032	42.4	30.9	26.9	21.0	114.5	51.7	57.3	0.541	32
PPRBV040	52.6	38.8	32.0	22.7	144.1	62.0	75.1	0.940	16
PPRBV050	66.1	48.9	42.0	25.7	175.8	69.8	92.7	1.680	12
PPRBV063	83.0	61.7	51.0	29.7	202.8	86.25	108.0	2.020	8

PPR PIPES & FITINGS

PPR COMBINING JOINT

Colour- Green

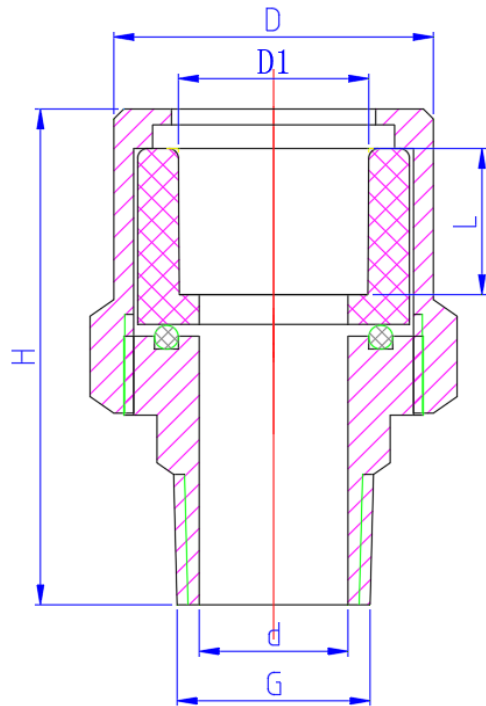
Type of metal – DZR Brass

COMPLY WITH ISO 15874-2, 3 & 5

SS 375

AS/ NZS 4020

BS EN 12165



DIMENSIONS

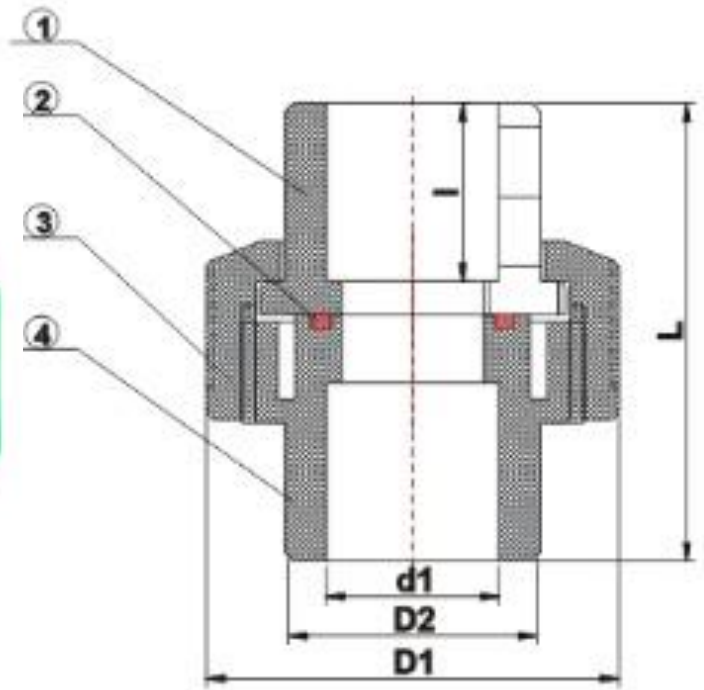
SKU	D (mm)	D1 (mm)	H (mm)	L (mm)	d (mm)	G (mm)	WEIGHT (kg)	PCS/CTN
PPRCJ02015	32.2	19.2	50.20	14.8	15.0	½"	0.123	125
PPRCJ02520	40.4	24.4	58.40	16.5	20.0	¾"	0.201	90
PPRCJ03225	48.6	31.2	65.85	18.1	25.1	1"	0.324	60

PPR PIPES & FITINGS

PPR UNION

Colour- Green

COMPLY WITH ISO 15874-2, 3 & 5
SS 375



DIMENSIONS

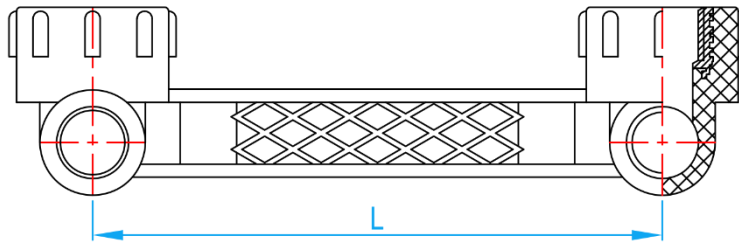
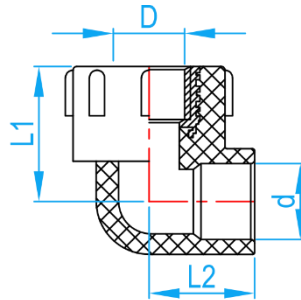
SKU	D1 (mm)	D2 (mm)	d1 (mm)	l (mm)	L (mm)	Weight (kg)	PCS/CTN
PPRU020	47.7	28.3	19.0/20.8/21.2	22.5	58.7	0.035	150
PPRU025	57.3	34.8	24.0/25.2/25.8	24.0	64.2	0.055	100
PPRU032	68.2	42.4	30.9/32.6/33.0	27.4	71.2	0.087	60
PPRU040	82.2	52.0	38.8/40.9	31.0	86.4	0.147	72
PPRU050	98.3	61.5	46.9/48.9	34.0	90.5	0.207	45
PPRU063	120	75.8	58.5/61.7	38.6	107.0	0.371	24

PPR PIPES & FITINGS

PPR DOUBLE FEMALE THREADED ELBOW
FOR SHOWER MIXER

Colour- Green

COMPLY WITH ISO 15874-2, 3 & 5
SS 375
AS/ NZS 4020
BS EN 12165



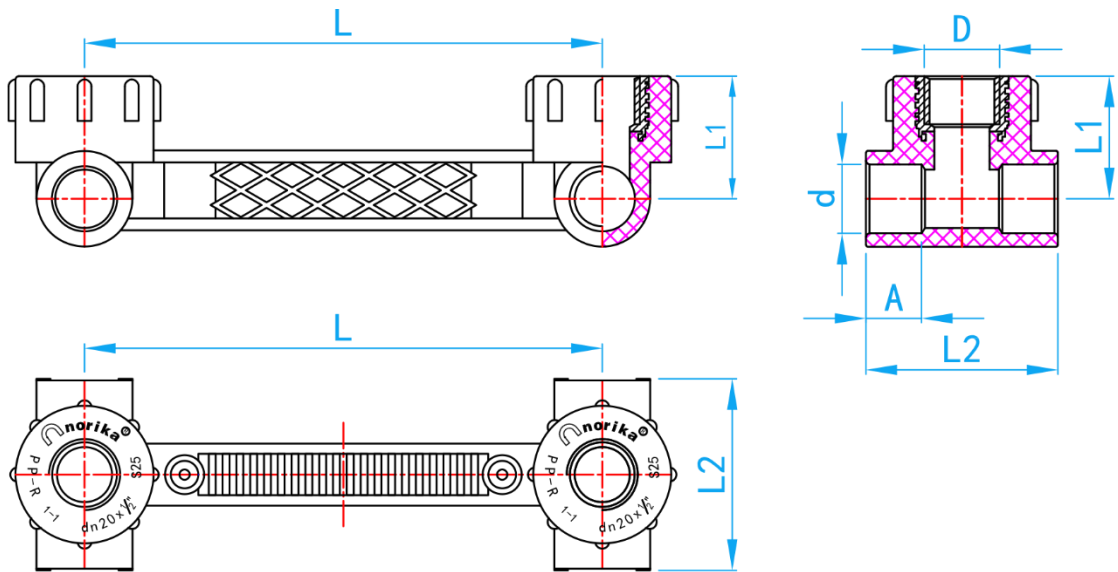
DIMENSIONS

SKU	D (mm)	d (mm)	L1 (mm)	L2 (mm)	L (mm)	Weight (kg)	PCS/CTN
PPRFE02015S	G 1/2"	20	35.6	27.8	150	0.157	40

PPR PIPES & FITINGS

PPR DOUBLE FEMALE THREADED TEE Colour- Green

COMPLY WITH ISO 15874-2, 3 & 5
SS 375
AS/ NZS 4020
BS EN 12165



DIMENSIONS

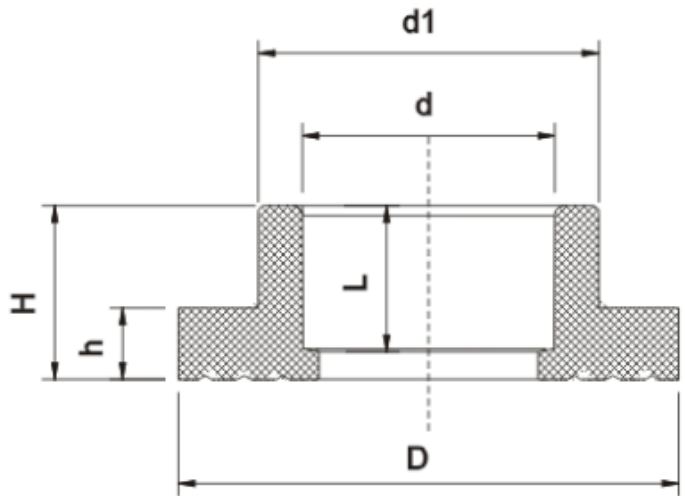
SKU	D (mm)	d (mm)	A (mm)	L1 (mm)	L2 (mm)	L (mm)	Weight (kg)	PCS/CTN
PPRFT02015S	G 1/2"	20.0	16.1	35.6	55.6	150	0.163	30

PPR PIPES & FITINGS

PPR FLANGE SOCKET

Colour- Green

COMPLY WITH ISO 15874-2, 3 & 5
SS 375



DIMENSIONS

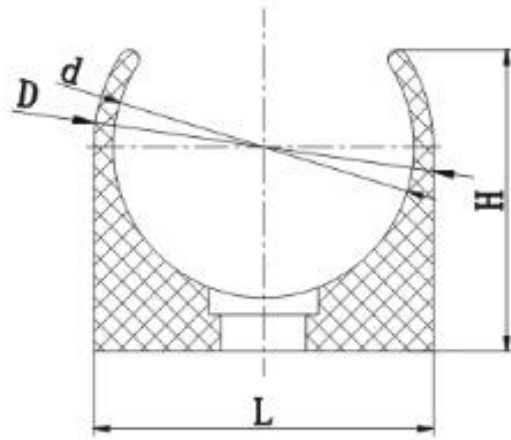
SKU	D (mm)	d (mm)	d1 (mm)	L (mm)	H (mm)	h (mm)	Weight (kg)	PCS/CTN
PPRFLS040	77.3	38.8	52.6	22.2	26.8	11.4	0.048	72
PPRFLS050	86.6	48.9	66.7	24.3	30.0	13.0	0.072	72
PPRFLS063	99.8	61.7	83.1	28.7	33.7	14.3	0.103	72
PPRFLS075	121.6	73.4	99.9	31.5	36.7	16.8	0.171	72
PPRFLS090	140.5	88.8	120.8	36.0	41.6	18.3	0.259	30
PPRFLS110	166.6	107.5	146.4	42.0	48.2	20.1	0.416	30

PPR PIPES & FITINGS

PPR U-PIPE TRACKET

Colour- Green

COMPLY WITH ISO 15874-2, 3 & 5
SS 375



DIMENSIONS

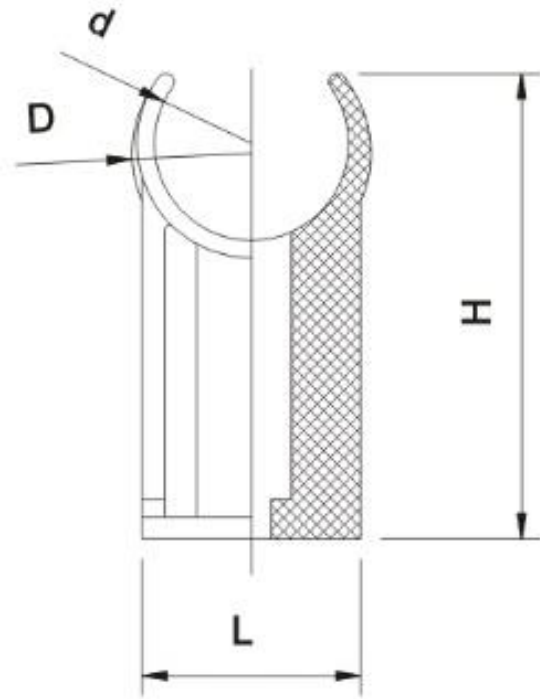
SKU	D (mm)	d (mm)	L (mm)	H (mm)	Weight (kg)	PCS/CTN
PPRUC020	24.7	20.0	24.7	25.0	0.006	1800
PPRUC025	30.1	25.0	30.1	29.0	0.006	1200
PPRUC032	36.8	32.0	36.8	32.6	0.008	800
PPRUC040	45.5	40.0	45.5	40.5	0.014	400
PPRUC050	55.9	50.0	55.9	49.5	0.020	280

PPR PIPES & FITINGS

PPR U-PIPE TRACKET

Colour- Green

COMPLY WITH ISO 15874-2, 3 & 5
SS 375



DIMENSIONS

SKU	D (mm)	d (mm)	L (mm)	H (mm)	Weight (kg)	PCS/CTN
PPRUC020H	24.0	19.5	22.0	46.8	0.007	900
PPRUC025H	32.8	24.5	29.8	52.4	0.011	600
PPRUC032H	40.5	31.5	37.0	57.0	0.008	350
PPRUC040H	50.0	39.5	40.3	64.0	0.022	240
PPRUC050H	61.2	49.5	44.0	69.8	0.028	160
PPRUC063H	77.0	62.5	60.0	80.0	0.045	120

ERA PPR PIPES

Projected Service Life

The following table provides more detailed information with regards to the permissible pressure of various pipe pressure rating at various temperatures. These values are derived from the hoop stress chart an formula.

Under normal working pressures and conditions, the average service life of ERA pipes is projected to be 50 years or more.

Examples:

A PN20 hot water pipe, transporting water at a temperature of 70°C can last for more than 25 years under normal conditions with an operating pressure of 4.8bars or 69psi.

Temperature	Service life in years	PN10 (bars)	PN20 (bars)
10°C	1	16.8	33.6
	5	15.6	31.2
	10	15.0	30.0
	25	14.2	28.4
	50	13.8	27.6
20°C	1	13.6	27.2
	5	12.6	25.2
	10	12.4	24.8
	25	11.6	23.6
	50	10.0	20.0
30°C	1	10.8	21.6
	5	10.0	20.0
	10	9.6	19.2
	25	9.2	18.4
	50	9.0	18.0
40°C	1	8.4	16.8
	5	8.0	16.0
	10	7.6	15.2
	25	7.2	14.4
	50	6.6	13.2
50°C	1	7.0	14.0
	5	6.2	12.4
	10	6.0	12.0
	25	5.2	10.4
	50	4.6	9.2
60°C	1	5.6	11.2
	5	5.0	10.0
	10	4.4	8.8
	25	3.6	7.2
	50	3.2	6.4
70°C	1	4.4	8.8
	5	3.4	6.8
	10	3.0	6.0
	25	2.4	4.8
80°C	1	3.4	6.8
	5	2.4	4.8
	10	2.0	4.0
	20	1.8	3.6
95°C	1	2.0	4.0
	5	1.4	2.8
	10	1.2	2.4

ERA PPR pipes comply with DIN 8077 & DIN 8078

Nominal Pressure	PN10	PN20
Pipes OD (mm)	Wall Thickness (mm)	Wall Thickness (mm)
20	2.3	2.8
25	2.8	3.5
32	3.6	4.4
40	4.5	5.5
50	5.6	6.9
63	7.1	8.7
75	8.4	10.3
90	10.1	12.3
110	12.3	15.1

To ensure long service life of ERA PPR pipes, it is necessary to refer following graph which is based on DIN 8077:1999

PPR pipes -PN10 as per DIN 8077 & 8078

Service life in years	10°C	20°C	30°C	40°C	50°C	60°C	70°C	80°C	95°C
1	16.8	13.6	10.8	8.4	7.0	5.6	4.4	3.4	2.0
5	15.6	12.6	10.0	8.0	6.2	5.0	3.4	2.4	1.4
10	15.0	12.4	9.6	7.6	6.0	4.4	3.0	2.0	1.2
20								1.8	
25	14.2	11.6	9.2	7.2	5.2	3.6	2.4		
50	13.8	10.0	9.0	6.6	4.6	3.2			

PPR pipes -PN20 as per DIN 8077 & 8078

Service life in years	10°C	20°C	30°C	40°C	50°C	60°C	70°C	80°C	95°C
1	33.6	27.2	21.6	16.8	14.0	11.2	8.8	6.8	4.0
5	31.2	25.2	20.0	16.0	12.4	10.0	6.8	4.8	2.8
10	30.0	24.8	19.2	15.2	12.0	8.8	6.0	4.0	2.4
20								3.6	
25	28.4	23.6	18.4	14.4	10.4	7.2	4.8		
50	27.6	20.0	18.0	13.2	9.2	6.4			