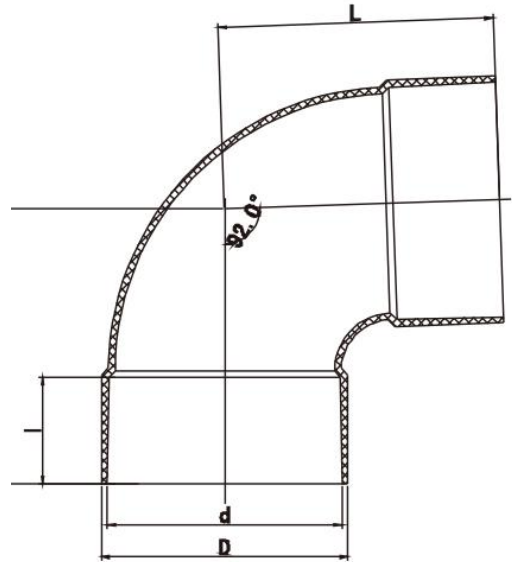




# UPVC 88° BEND (F x F)

Colour- White

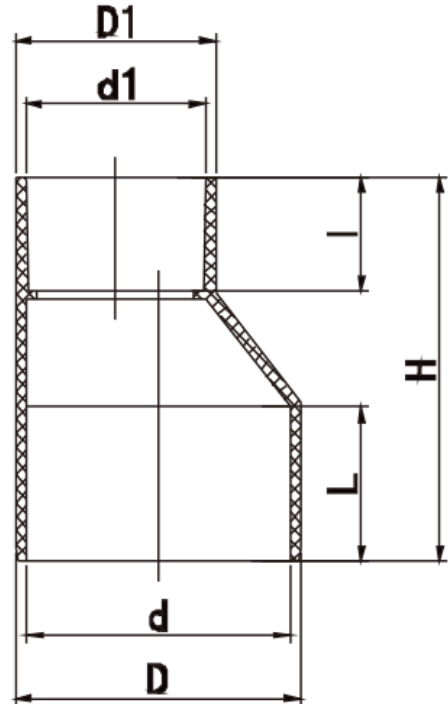


## DIMENSIONS

SKU	D (mm)	d (mm)	L (mm)	l (mm)	WEIGHT (Kg)	PCS/CTN
213B90035E	40.8	36.8	48	24.5	0.038	100
213B90042E	47.8	43.4	60	27.5	0.058	100
213B90050E	61.6	56.3	71	30.5	0.098	50

## UPVC LEVEL INVERT TAPER M x F

Colour- White

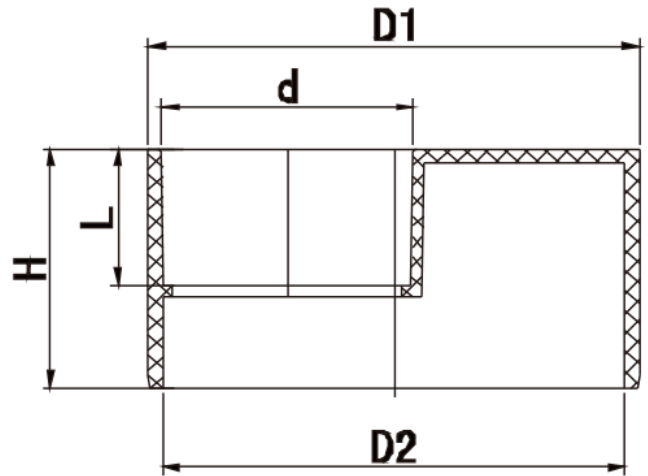


### DIMENSIONS

SKU	D (mm)	d (mm)	l (mm)	L (mm)	H (mm)	D1 (mm)	D2 (mm)	WEIGHT (Kg)	PCS/CTN
213LI05042MF	56.0	51.0	27.5	29.44	66.0	48.4	43.4	0.041	200
213LI08050MF	82.5	76.5	30.5	44.63	108.0	61.1	56.3	0.109	60
213LI10050MF	110.0	103.8	30.5	48.88	115.7	61.1	56.3	0.154	108
213LI10080MF	110.0	103.8	44.5	49.62	130.0	88.8	83.2	0.181	90
213LI150100MF	160.0	151.8	50.5	98.30	210.0	118.5	110.9	0.572	18

## UPVC REDUCING BUSH (SOCKET REDUCER)

Colour- White

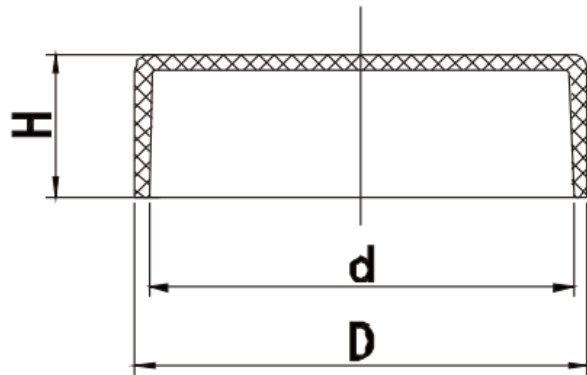


### DIMENSIONS

SKU	D1 (mm)	D2 (mm)	d (mm)	L (mm)	H (mm)	WEIGHT (Kg)	PCS/CTN
213RB04235	42.5	36.8	37.6	24.5	30.5	0.020	240
213RB05042	56.0	51.0	43.4	27.5	30.5	0.033	280
213RB08050	69.0	63.6	56.3	30.5	41.5	0.081	81
213RB10042	82.5	76.5	69.4	38.5	47.0	0.127	84
213RB10050	110.0	103.8	69.4	38.5	53.5	0.134	84
213RB10080	111.0	101.7	83.2	53.8	78.2	0.147	84
213RB150100	160.3	151.8	110.9	50.5	80.0	0.378	30

## UPVC PUSH ON CAP (DUST CAP)

Colour- White



### DIMENSIONS

SKU	D (mm)	d (mm)	H (mm)	WEIGHT (Kg)	PCS/CTN
213POC035	40.8	36.8	17.2	0.009	550
213POC042	47.8	43.4	27.4	0.021	400
213POC050	61.1	56.3	27.5	0.030	230
213POC080	88.8	83.2	28.0	0.063	120
213POC100	116.7	110.9	28.1	0.095	74
213POC150	169.1	160.9	39.3	0.250	70

## UPVC PUDDLE FLANGE (SAFE WASTE TRAY)

Colour- White



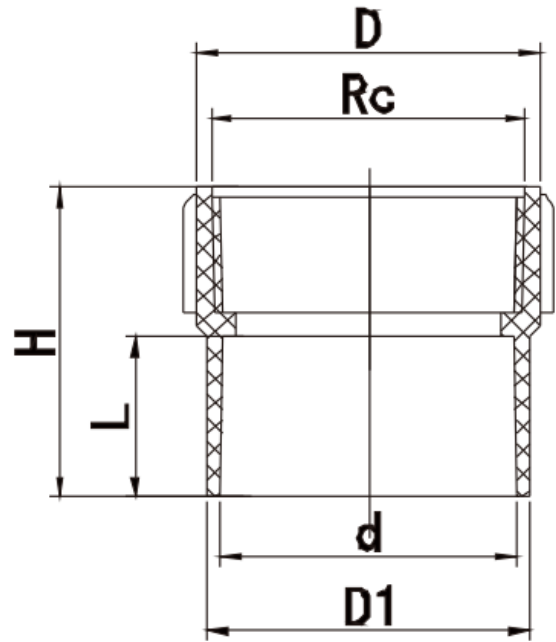
### DIMENSIONS

SKU	D (mm)	d (mm)	D1 (mm)	L (mm)	L1 (mm)	WEIGHT (Kg)	PCS/CTN
213PF042	48.9	43.8	197.7	21.3	3.3	0.137	120
213PF050	61.7	56.8	197.7	21.3	3.3	0.139	120
213PF100	117.2	111.0	160.5	22.0	3.1	0.070	60



# UPVC FEMALE IRON CONNECTOR

Colour- White



## DIMENSIONS

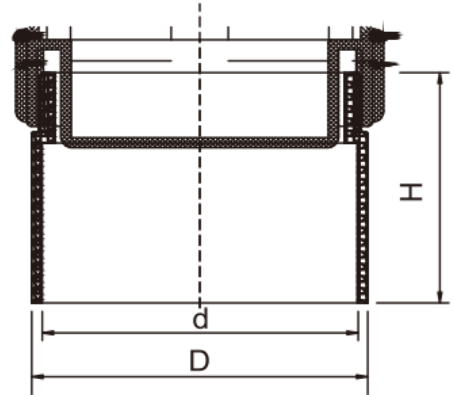
SKU	D (mm)	D1 (mm)	Rc (mm)	d (mm)	H (mm)	L (mm)	WEIGHT (Kg)	PCS/CTN
213FS042	53	47.8	1½"	43.4	50	27.5	0.037	200
213FS050	65	61.1	2"	56.3	59	30.5	0.057	100



# UPVC ACCESS CAP & PLUG (CLEAN OUT)



Colour- White



## DIMENSIONS

SKU	D (mm)	d (mm)	H (mm)	WEIGHT (Kg)	PCS/CTN
213AC050MF	50	46.0	39.0	0.065	175
213AC080MF	75	70.4	54.0	0.095	120
213AC100MF	110	103.6	64.5	0.231	30
213AC150MF	160	152.0	78.0	0.490	32
213AC200MF	200	191.0	97.5	0.792	24