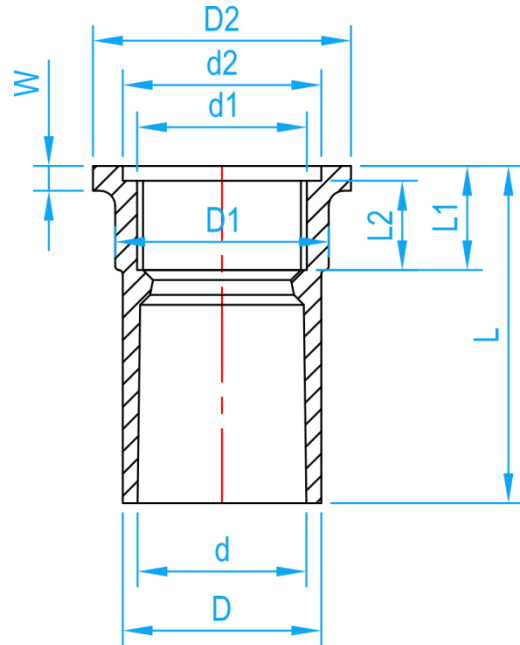
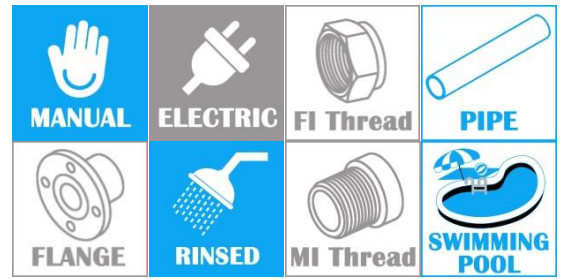


COMPLY WITH JIS K 6743



CROSS SECTIONAL VIEW

DIMENSIONS

SKU	D (mm)	d (mm)	D1 (mm)	L1 (mm)	L2 (mm)	Threaded Section		d2 (mm)	D2 (mm)	W (mm)	L (mm)	WEIGHT (Kg)	PCS/CTN
						d1 (inch)	No. of Screw Threads (per 25.4mm)						
AWFS013	24	18.40±0.20	30	17	14	RP ½"	14	26	34	4	47	0.021	800
AWFS015	29	22.40±0.20	30	17	14	RP ½"	14	26	34	4	52	0.023	600
AWFS020	33	26.45±0.20	37	19	16	RP ¾"	14	32	42	4	59	0.036	360
AWFS025	40	32.55±0.25	46	21	18	RP 1"	11	40	52	5	68	0.060	200

- Notes:**
1. The threaded section of JIS B 0203 (pipe taper thread) is the parallel female thread.
 2. The tolerance for L2 is ± 1mm. The tolerance for L is +5 and -1mm.
 3. The tolerance for D depends on the common dimensions of socket.