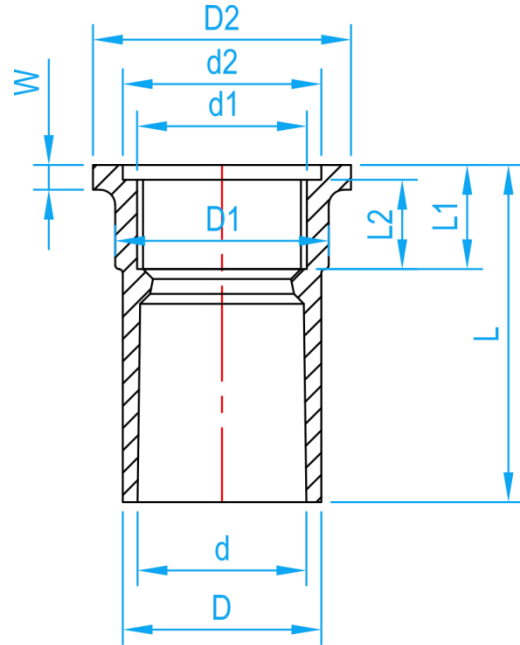
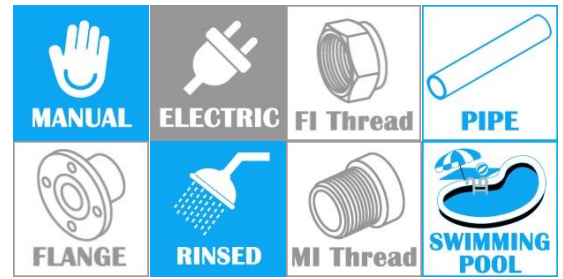


## ESLON TS/AW FAUCET SOCKET

COMPLY WITH JIS K 6743



CROSS SECTIONAL VIEW

### DIMENSIONS

SKU	DN	D (mm)	d (mm)	D1 (mm)	L1 (mm)	L2 (mm)	Threaded Section		d2 (mm)	D2 (mm)	W (mm)	L (mm)	WEIGHT (Kg)	PCS/CTN
							d1 (inch)	No. of Screw Threads per 25.4mm						
AWFS013	13	24	18.40±0.20	30	17	14	RP 1/2"	14	26	34	4	47	0.021	800
AWFS015	15	29	22.40±0.20	30	17	14	RP 1/2"	14	26	34	4	52	0.023	600
AWFS020	20	33	26.45±0.20	37	19	16	RP 3/4"	14	32	42	4	59	0.036	360
AWFS025	25	40	32.55±0.25	46	21	18	RP 1"	11	40	52	5	68	0.060	200

- Notes:**
1. The threaded section of JIS B 0203 (pipe taper thread) is the parallel female thread.
  2. The tolerance for L2 is ± 1mm. The tolerance for L is +5 and -1mm.
  3. The tolerance for D depends on the common dimensions of socket.