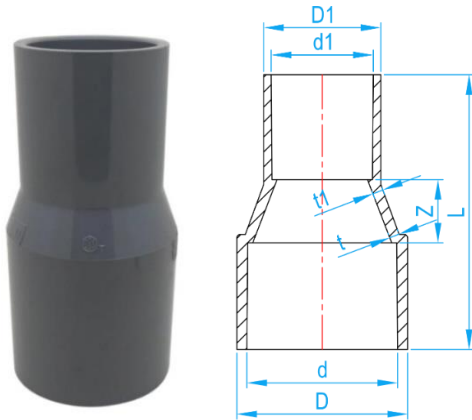
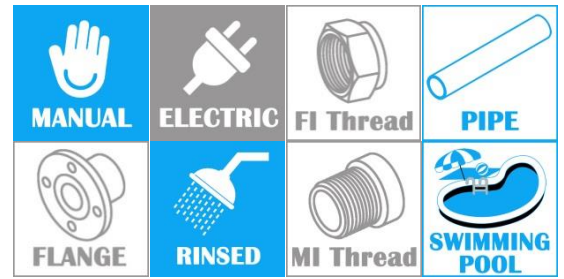


VU/AW REDUCE SOCKET

COMPLY WITH JIS K 6743



CROSS SECTIONAL VIEW



*With Bushing

DIMENSIONS

SKU	D (mm)	d (mm)	D1 (mm)	d1 (mm)	L (mm)	Z (mm)	t (mm)	t1 (mm)	WEIGHT (Kg)	PCS/CTN
AWRS01513	29	22.40±0.20	24	18.40±0.20	61	5	3.5	3.0	0.024	640
AWRS02013	33	26.45±0.20	24	18.40±0.20	68	7	3.5	3.0	0.031	480
AWRS02015	33	26.45±0.20	29	22.40±0.20	71	6	3.5	3.5	0.036	400
AWRS02513	40	32.55±0.25	24	18.40±0.20	86	20	4.0	3.0	0.046	280
AWRS02515	40	32.55±0.25	29	22.40±0.20	85	15	4.0	3.5	0.048	260
AWRS02520	40	32.55±0.25	33	26.45±0.20	84	9	4.0	3.5	0.053	240
AWRS03513	46	38.60±0.25	24	18.40±0.20	95	25	4.0	3.0	0.058	200
AWRS03520	46	38.60±0.25	33	26.45±0.20	93	14	4.0	3.5	0.060	160
AWRS03525	46	38.60±0.25	40	32.55±0.25	93	9	4.0	4.0	0.071	160
AWRS04220	57	48.70±0.30	33	26.45±0.20	113	23	4.5	3.5	0.095	100
AWRS04225	57	48.70±0.30	40	32.55±0.25	114	19	4.5	4.0	0.110	100
AWRS04235	57	48.70±0.30	46	38.60±0.25	114	15	4.5	4.0	0.118	90
AWRS05020	70	48.70±0.30	33	26.45±0.20	116	18	6.5	6.5	0.180	
AWRS05025	70	60.80±0.30	40	32.55±0.25	140	37	5.0	4.0	0.180	50
AWRS05035	70	60.80±0.30	46	38.60±0.25	136	29	5.0	4.0	0.167	50
AWRS05042	70	60.80±0.30	57	48.70±0.30	136	18	5.0	4.5	0.185	50
AWRS06550	87	76.60±0.30	70	60.80±0.30	149	25	6.6	5.0	0.336	40
AWRS08050	102	89.60±0.30	70	60.80±0.30	165	38	8.0	5.0	0.450	30
AWRS08065	102	89.60±0.30	87	76.60±0.30	159	34	8.0	6.6	0.487	30
AWRS10080	130	114.70±0.30	102	89.60±0.30	190	42	10.0	8.0	0.890	15
AWRS125100	157	140.85±0.35	130	114.70±0.30	229	41	11.0	10.0	1.531	12
AWRS150100	186	166.00±0.40	130	114.70±0.30	295	79	13.0	10.0	2.348	4
AWRS150125	186	166.00±0.40	157	140.85±0.35	272	36	13.0	11.0	2.369	4
AWRS200150	243	217.40±0.70	189	166.00±0.40	368	91	13.0	13.0	3.900	2
*AWRS250150	300	268.60±0.70	189	166.00±0.40	557	250	14.5	-	3.900	1
AWRS250200	300	268.60±0.70	243	217.40±0.70	400	80	14.5	14.5	12.100	1
*AWRS300150	356	319.80±0.80	189	166.00±0.40	605	288	16.0	-	15.100	1
*AWRS300200	356	319.80±0.80	243	217.40±0.70	601	271	16.0	-	16.400	1
AWRS300250	356	319.80±0.80	300	268.60±0.70	435	75	16.0	16.0	9.100	1

Notes: 1. The tolerance for L is ± 4 mm.

* With Bushing