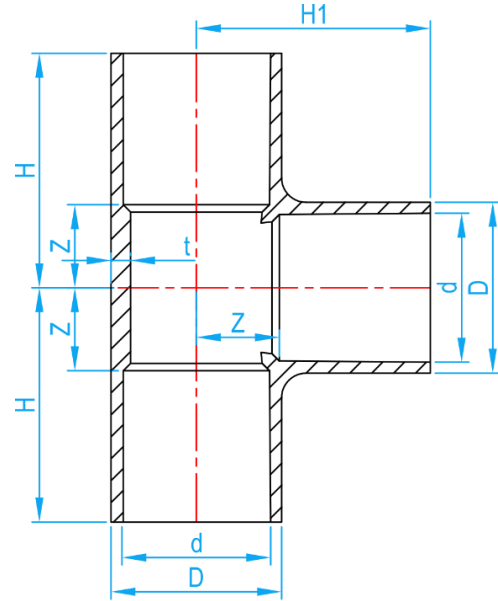
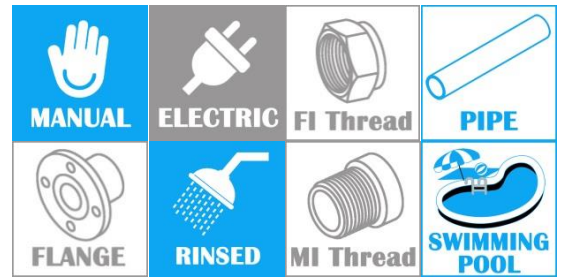


ESLON TS/AW EQUAL TEE

COMPLY WITH JIS K 6743



CROSS SECTIONAL VIEW

DIMENSIONS

SKU	D (mm)	d (mm)	t (mm)	H (mm)	H1 (mm)	Z (mm)	WEIGHT (Kg)	PCS/CTN
AWET013	24	18.40±0.20	3.0	36	36	10	0.030	440
AWET015	29	22.40±0.20	3.5	43	43	13	0.050	240
AWET020	33	26.45±0.20	3.5	50	50	15	0.070	160
AWET025	40	32.55±0.25	4.0	58	58	18	0.119	80
AWET035	46	38.60±0.25	4.0	65	65	21	0.145	60
AWET042	57	48.70±0.30	4.5	82	82	27	0.276	30
AWET050	70	60.80±0.30	5.0	96	96	33	0.443	20
AWET065	87	76.60±0.30	6.6	110	110	49	0.769	14
AWET080	102	89.60±0.30	8.0	120	120	56	1.158	10
AWET100	130	114.70±0.30	10.0	152	152	68	2.254	4
AWET125	157	140.85±0.35	11.0	187	187	83	3.980	3
AWET150	186	166.00±0.40	13.0	230	230	98	6.365	2
AWET200	243	217.40±0.70	13.0	267	267	122	8.200	1
AWET250	300	268.60±0.70	14.5	355	355	180	18.800	1
AWET300	356	319.80±0.80	16.0	410	375	225	30.400	1

- Notes:**
1. The tolerance for H is +5 and -1mm.
 2. The tolerance for D, D1 and t depends on the common dimensions of socket.
 3. R is more than 10mm.