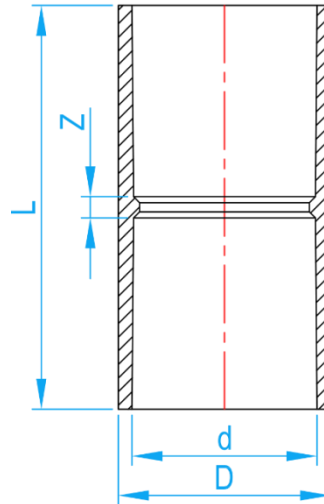
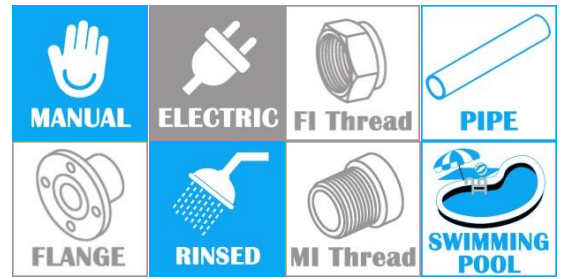


ESLON TS/AW EQUAL SOCKET

COMPLY WITH JIS K 6743



CROSS SECTIONAL VIEW

DIMENSIONS

SKU	DN	D (mm)	d (mm)	L (mm)	Z (mm)	WEIGHT (Kg)	PCS/CTN
AWES013	13	24	18.40±0.20	57	5	0.018	840
AWES015	15	29	22.40±0.20	67	7	0.028	520
AWES020	20	33	26.45±0.20	77	7	0.040	340
AWES025	25	40	32.55±0.25	87	7	0.061	200
AWES035	35	46	38.60±0.25	95	7	0.078	140
AWES042	42	57	48.70±0.30	117	7	0.142	80
AWES050	50	70	60.80±0.30	133	7	0.210	48
AWES065	65	87	76.60±0.30	145	23	0.366	30
AWES080	80	102	89.60±0.30	155	27	0.515	22
AWES100	100	130	114.70±0.30	200	32	1.077	10
AWES125	125	157	140.85±0.35	240	32	1.715	8
AWES150	150	186	166.00±0.40	300	36	2.846	4
AWES200	200	243	217.40±0.70	300	10	3.400	4
AWES250	250	300	268.60±0.70	384	34	6.900	1
AWES300	300	356	319.80±0.80	408	38	9.100	1

- Notes:** 1. The tolerance for L is ± 4 mm.
2. The tolerance for D depends on the common dimensions of socket.