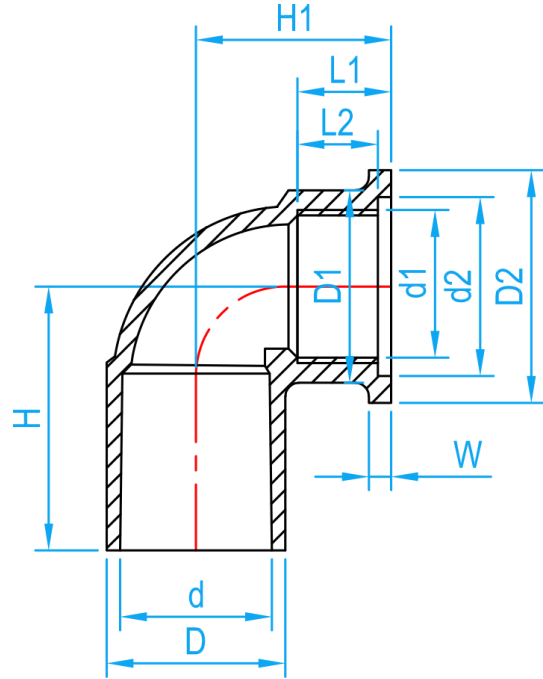
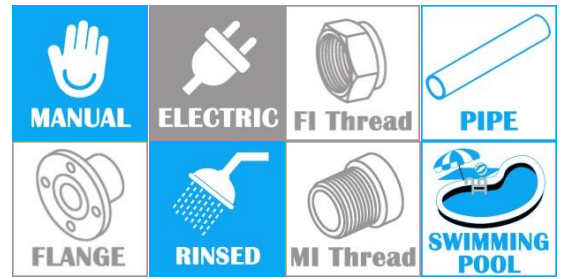


ESLON TS/AW FAUCET ELBOW

COMPLY WITH JIS K 6743



CROSS SECTIONAL VIEW

DIMENSIONS

SKU	DN	D (mm)	d (mm)	D1 (mm)	L1 (mm)	L2 (mm)	Threaded Section		d2 (mm)	D2 (mm)	H (mm)	H1 (mm)	W (mm)	t (mm)	WEIGHT (Kg)	PCS/CTN
							d1 (inch)	No. of Screw Threads (per 25.4mm)								
AWFE013	13	24	18.40±0.20	28	17	14	RP 1/2"	14	26	34	38	29	4	3.0	0.042	600
AWFE015	15	29	22.40±0.20	29	17	14	RP 1/2"	14	26	34	38	32	4	3.5	0.034	440
AWFE020	20	33	26.45±0.20	35	19	16	RP 3/4"	14	32	42	51	36	4	3.5	0.054	280
AWFE025	25	40	32.55±0.25	43	21	18	RP 1"	11	40	52	59	40	5	4.0	0.088	160

Notes:

- 1.The threaded section of JIS B 0203 (pipe taper thread) is the parallel female thread.
- 2.The tolerance for L2 is ± 1mm. The tolerance for H is +5 and -1mm. The tolerance for H1 is +5 and -2mm.
- 3.The tolerance for D depends on the common dimensions of socket.