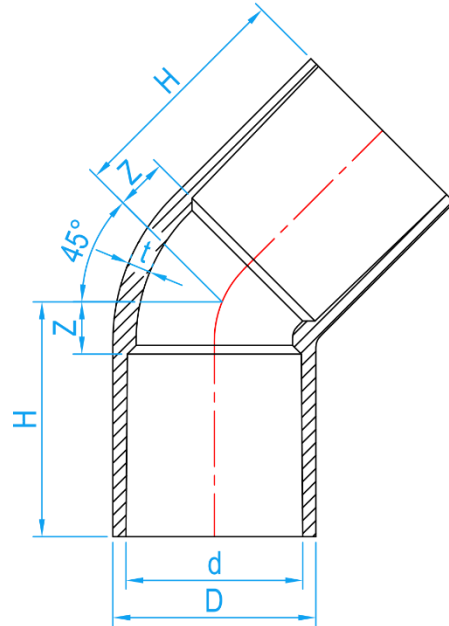
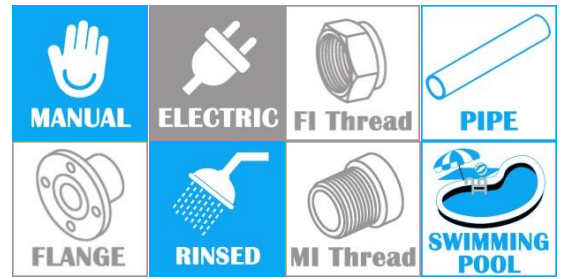


ESLON TS/AW ELBOW 45°

COMPLY WITH JIS K 6743



CROSS SECTIONAL VIEW

DIMENSIONS

SKU	DN	D (mm)	d (mm)	H (mm)	t (mm)	Z (mm)	WEIGHT (Kg)	PCS/CTN
AWE45013	13	24.0	18.40±0.20	33	3.0	7	0.018	720
AWE45020	20	33.0	26.45±0.20	44	3.5	9	0.039	260
AWE45025	25	40.0	32.55±0.25	51	4.0	11	0.068	160
AWE45035	35	46.0	38.60±0.25	56	4.0	12	0.084	100
AWE45042	42	57.0	48.70±0.30	69	4.5	14	0.142	60
AWE45050	50	70.0	60.80±0.30	81	5.0	18	0.245	30
AWE45065	65	87.0	76.60±0.30	94	6.6	33	0.515	24
AWE45080	80	102.0	89.60±0.30	98	8.0	34	0.660	12
AWE45100	100	130.0	114.70±0.30	123	10.0	39	1.262	6
AWE45125	125	160.0	140.85±0.35	149	11.0	44	1.970	6
AWE45150	150	190.0	166.00±0.40	184	13.0	51	3.445	2
AWE45200	200	243.0	217.40±0.70	205	13.0	60	5.600	2
AWE45250	250	300.0	268.60±0.70	254	14.5	79	9.000	1
AWE45300	300	356.0	319.80±0.80	280	16.0	95	13.600	1

Notes: 1. The tolerance for H is +5 and -1mm.

2. The tolerance for D and t depends on the common dimensions of socket.