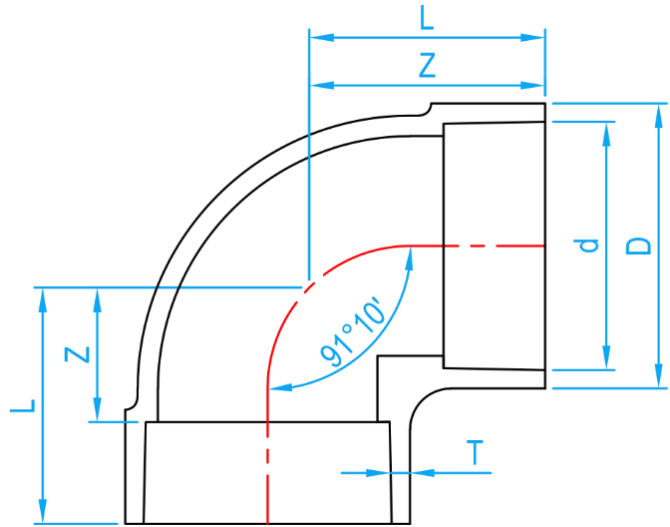
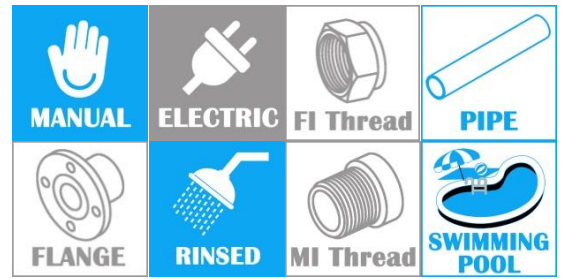


ESLON VU/AE ELBOW 90°

COMPLY WITH JIS K 6739



CROSS SECTIONAL VIEW

DIMENSIONS

SKU	DN	d (mm)	D (mm)	T-Min (mm)	Z (mm)	L (mm)	WEIGHT (Kg)	PCS/CTN
AEE90030	30	38.25±0.25	44	2.2	22	40	0.038	300
AEE90042	42	48.5±0.3	54	2.2	27	49	0.058	150
AEE90050	50	60.5±0.3	67	2.2	33	58	0.093	85
AEE90065	65	76.6±0.3	83	2.5	42	77	0.182	36
AEE90080	80	89.6±0.3	97	3.0	48	88	0.249	30
AEE90100	100	114.8±0.4	124	3.5	62	112	0.503	16
AEE90125	125	140.9±0.4	151	4.5	75	140	0.944	8
AEE90150	150	166.1±0.5	178	5.5	88	168	1.450	5
AEE90200	200	217.3	227	5.5	113	218	3.203	4
AEE90250	250	268.6	280	6.5	139	264	4.208	3
AEE90300	300	319.8	333	7.5	165	305	7.360	1
AEE90350	350	373.0	389	9.3	196	356	9.805	1
AEE90400	400	423.0	444	10.5	222	422	19.500	1

- Notes:**
1. The tolerance for Z is ±2mm.
 2. The flow angle is 91° 10' ± 30'.
 3. L is the standard dimension.