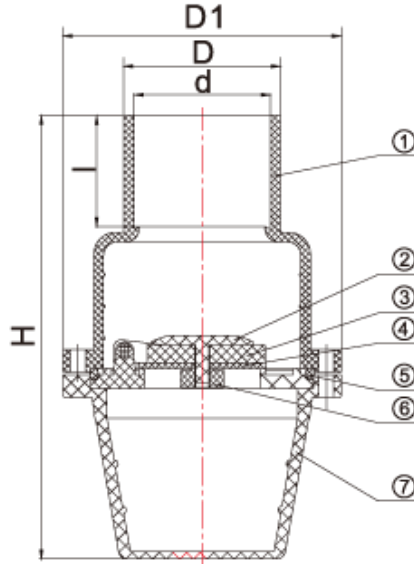


## [SOCKET END] FOOT VALVE

- END CONNECTOR: SOCKET



### COMPONENT PARTS

ITEM	PARTS	MATERIAL	QTY
1	Body	PVC	1
2	Connector	EPDM, FPM(NBR)	1
3	Spring	STAINLESS STEEL	1
4	Gate	PVC	1
5	Seal	EPDM, FPM(NBR)	1
6	Body	PVC	1

### DIMENSIONS

SKU	JIS d(mm)	BS d(mm)	ANSI d(mm)	DIN d(mm)	D (mm)	D1 (mm)	I (mm)	L (mm)
FVAWE015	22	22	21.34	20	31.0	43.7	31.0	137.0
FVAWE020	26	26	26.67	25	35.5	43.7	32.5	141.0
FVAWE025	32	34	33.40	32	41.9	43.7	32.8	141.0
FVAWE035	38	42	42.16	40	51.0	78.0	35.0	195.3
FVAWE042	48	48	48.26	50	60.3	78.0	56.0	217.4
FVAWE050	60	60	60.33	63	72.5	78.0	57.0	217.4
FVAWE065	76	76	73.03	75	90.0	171.6	73.5	293.4
FVAWE080	89	89	88.9	90	76.4	183.8	58.2	252.0
FVAWE100	114	114	114.3	110	115.0	216.0	91.0	360.0
FVAWE150	165	168.3	168.3	160	161.0	291.0	120.0	500.0