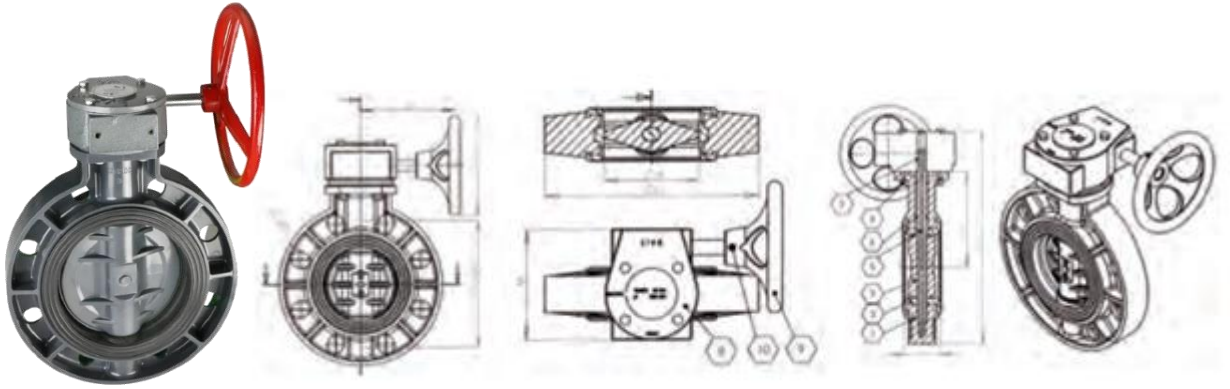


[HAND WHEEL] BUTTERFLY VALVE

- END CONNECTOR: FLANGE
- WORKING PRESSURE: 200PSI



COMPONENT PARTS

ITEM	PARTS	MATERIAL	QTY
1	Body	uPVC	1
2	Seat Seal	EPDM	1
3	Disc	uPVC	1
4	Bolt	SS304	1
5	Stem	SS304	1

COMPONENT PARTS

ITEM	PARTS	MATERIAL	QTY
6	O-Ring	EPM	2
7	Key	STEEL	1
8	Gear Box	IRON	1
9	Hand Wheel	IRON	1
10	Pin	STEEL	1

DIMENSIONS

SKU	D (mm)	PCD ØD1 (mm)	d1 (mm)	L (mm)	Ø1 (mm)	L1 (mm)	H1 (mm)	H (mm)	M (mm)	N (mm)	N-Øe	PN	
												PSI	MPa
BTFVAWE250	412	355	255	98	280	220	260	551	180	130	12-25	100	100
BTFVAWE300	460	400	302	108	280	220	280	595	180	130	12-25	0.6	0.6