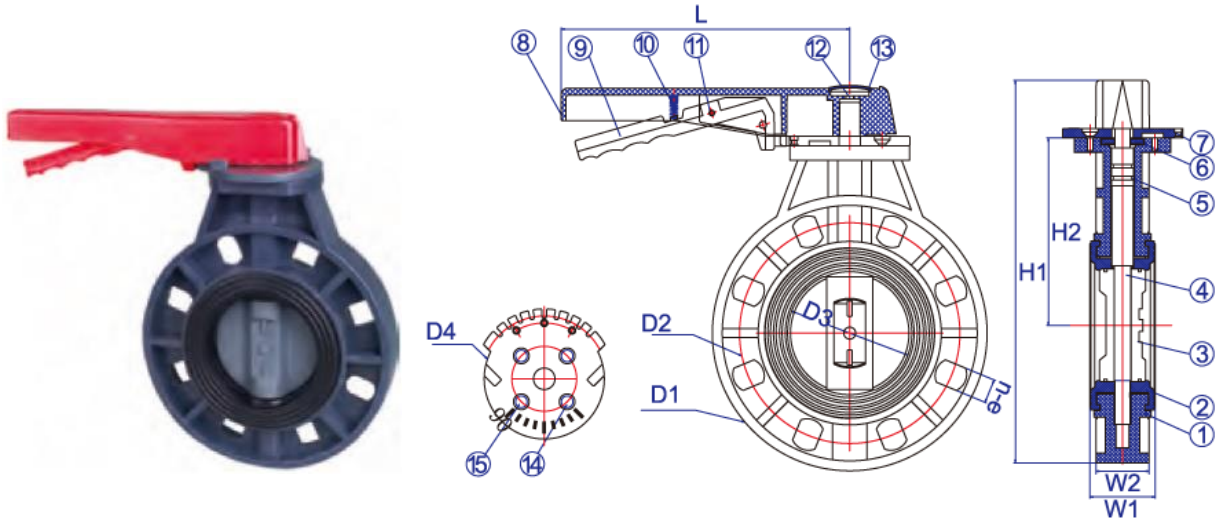


BUTTERFLY VALVE

- END CONNECTOR: FLANGE
- WORKING PRESSURE: 200PSI



COMPONENT PARTS

ITEM	PARTS	MATERIAL	QTY
1	Body	uPVC	1
2	Seat Seal	EPDM	1
3	Gate	uPVC	1
4	Stem	SUS410	1
5	O-Ring	EPDM	2
6	Washer	ABS	1
7	Locking Plate	uPVC	1
8	Large Handle	ABS	1

COMPONENT PARTS

ITEM	PARTS	MATERIAL	QTY
9	Small Handle	ABS	1
10	Spring	SUS304	1
11	Pin	SUS304	1
12	Bolt	SUS304	1
13	Handle Cap	ABS	1
14	Insered Bolt	SUS304	4
15	Bolt Cap	uPVC	4

DIMENSIONS

SKU	D1 (mm)	D2 (mm)	D3 (mm)	D4 (mm)	L (mm)	H1 (mm)	H2 (mm)	W1 (mm)	W2 (mm)	JIS n-Øe
BTFVAWE050	160.1	100	55.6	99.7	189.7	223.3	98.3	44.0	32.0	4-19
BTFVAWE065	179.8	140	68.7	99.7	189.0	247.0	111.6	48.3	32.4	4-19
BTFVAWE080	195.0	140	83.9	99.7	238.5	282.6	132.5	51.9	36.3	4-19
BTFVAWE100	228.1	150	103.2	99.7	239.5	319.4	155.4	54.5	44.1	8-19
BTFVAWE125	257.0	175	129.5	139.0	309.8	368.0	170.3	66.5	54.6	8-19
BTFVAWE150	285.4	240	151.1	140.0	309.8	400.8	187.5	73.1	56.4	8-23
BTFVAWE200	342.6	295	198.6	140.0	309.8	473.0	230.1	92.0	72.2	12-23