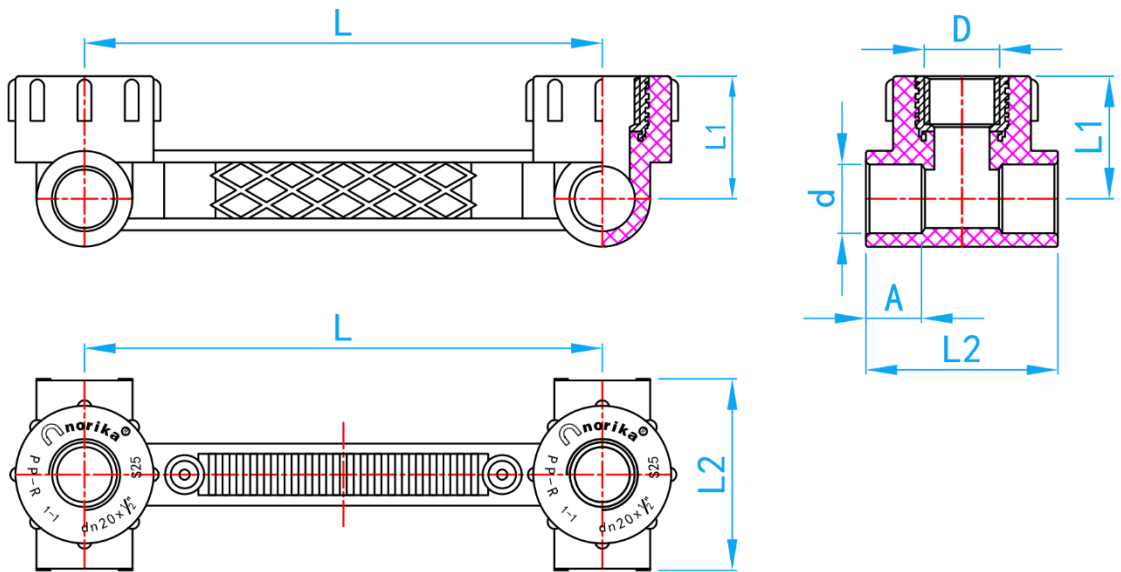


## PPR PIPES & FITINGS

### PPR DOUBLE FEMALE THREADED TEE Colour- Green

COMPLY WITH ISO 15874-2, 3 & 5  
SS 375  
AS/ NZS 4020  
BS EN 12165



#### DIMENSIONS

SKU	D (mm)	d (mm)	A (mm)	L1 (mm)	L2 (mm)	L (mm)	Weight (kg)	PCS/CTN
PPRFT02015S	G 1/2"	20.0	16.1	35.6	55.6	150	0.163	30