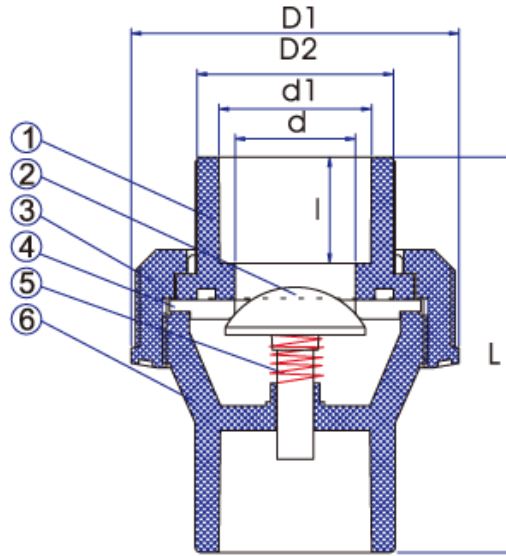


SINGLE UNION SPRING CHECK VALVE



COMPONENT PARTS

ITEM	PARTS	MATERIAL	QTY
1	Union Connector	uPVC	1
2	Gate	uPVC	1
3	Union Nut	uPVC	1
4	Space Seal	EPDM	1
5	Spring	STAINLESS STEEL	1
6	Body	uPVC	1

DIMENSIONS

SKU	BSPT Thd./in	d1 (mm)	d (mm)	D2 (mm)	D1 (mm)	l (mm)	L (mm)
CVAWSUE015	14	22	16	27.5	51.3	20.5	80.0
CVAWSUE020	14	26	19	35.5	65.5	22.0	86.5
CVAWSUE025	11	32	24	41.5	73.7	28.0	96.0
CVAWSUE035	11	38	32	51.6	86.8	30.0	105.0
CVAWSUE042	11	48	40	60.9	102.0	34.7	115.5
CVAWSUE050	11	60	49.8	75.0	119.8	40.0	141.0