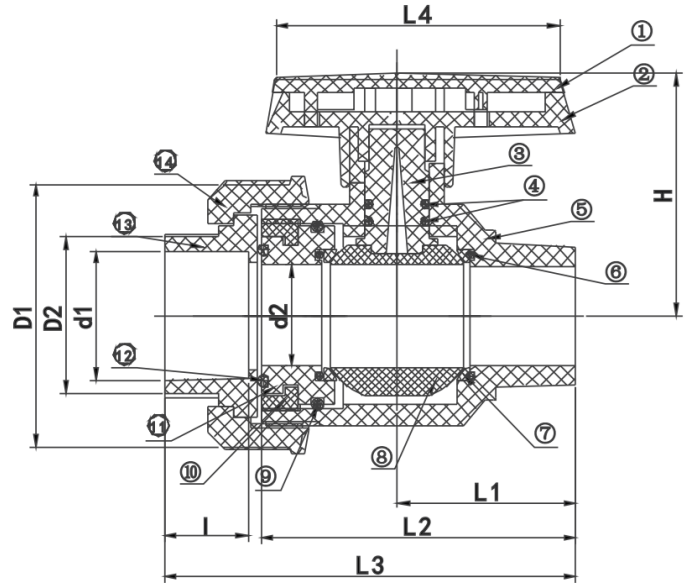




- END CONNECTOR: THREAD, SOCKET



COMPONENT PARTS

ITEM	PARTS	MATERIAL	QTY
1	Cover	PVC	1
2	Handle	ABS	1
3	Stem	PVC	1
4	Stem O-Ring	EPDM	2
5	Body	PVC	1
6	O-Ring	EPDM	2
7	Seat Seal	PTFE	2

COMPONENT PARTS

ITEM	PARTS	MATERIAL	QTY
8	Ball	PVC	1
9	O-Ring	EPDM	1
10	Seal	PVC	1
11	Seal Carrier	PVC	1
12	O-Ring	EPDM	1
13	End Connector	PVC	1
14	Union Nut	PVC	1

DIMENSIONS

SKU	SIZE	D1 (mm)	D2 (mm)	d1 (mm)	d2 (mm)	L1 (mm)	L2 (mm)	L3 (mm)	L4 (mm)	H (mm)	I (mm)	WEIGHT (kg)	PCS/CTN
BVAWEU015MI	1/2"	47.8	26.4	20.3	14.0	40.0	67.0	88.5	59.2	49.8	17.0	0.128	120
BVAWEU020MI	3/4"	58.8	31.3	25.3	19.0	43.0	78.0	101.5	68.3	57.3	20.0	0.217	105
BVAWEU025MI	1"	68.0	38.0	32.4	32.0	50.0	86.0	112.0	78.3	64.4	23.4	0.323	60
BVAWEU035MI	1 1/4"	82.4	49.0	40.4	32.5	56.4	99.3	129.7	89.5	76.0	26.6	0.487	50
BVAWEU042MI	1 1/2"	94.6	59.5	50.4	40.0	68.2	115.0	151.8	101.3	86.6	31.5	0.688	40
BVAWEU050MI	2"	113.0	73.9	63.4	49.7	78.0	134.0	179.0	124.4	101.0	38.5	1.172	12
BVAWEU065MI	2 1/2"	128.0	87.8	67.0	59.5	90.0	151.8	203.8	149.9	113.1	44.0	1.606	6
BVAWEU080MI	3"	181.0	107.4	90.4	80.0	120.9	196.0	254.7	191.6	160.0	52.0	3.760	2
BVAWEU100MI	4"	204.0	132.2	106.5	96.0	139.5	224.5	295.8	191.6	230.3	62.0	5.688	2