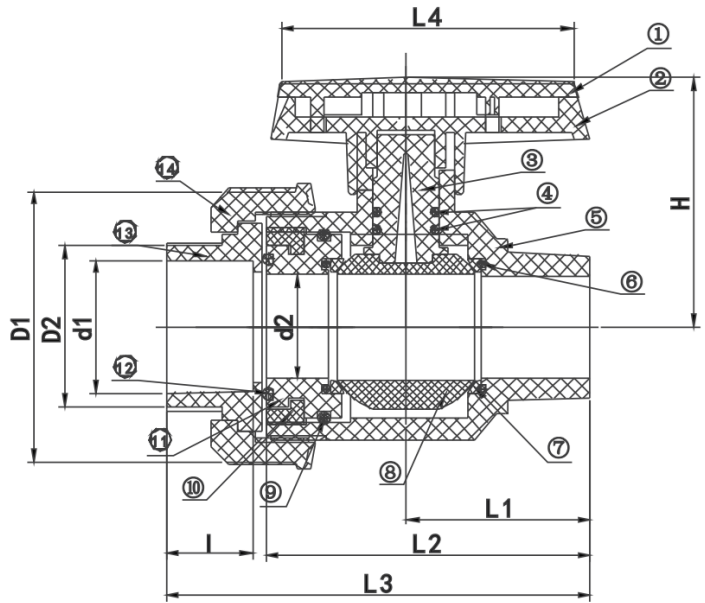


## [THREAD, SOCKET END] BALL VALVE

- END CONNECTOR: THREAD, SOCKET



### COMPONENT PARTS

ITEM	PARTS	MATERIAL	QTY
1	Cover	PVC-U	1
2	Handle	ABS	1
3	Stem	PVC-U	1
4	Stem O-Ring	EPDM	2
5	Body	PVC-U	1
6	O-Ring	EPDM	2
7	Seat Seal	PTFE	2

### COMPONENT PARTS

ITEM	PARTS	MATERIAL	QTY
8	Ball	PVC-U	1
9	O-Ring	EPDM	1
10	Seal	PVC-U	1
11	Seal Carrier	PVC-U	1
12	O-Ring	EPDM	1
13	End Connector	PVC-U	1
14	Union Nut	PVC-U	1

### DIMENSIONS

SKU	SIZE	D1 (mm)	D2 (mm)	d1 (mm)	d2 (mm)	L1 (mm)	L2 (mm)	L3 (mm)	L4 (mm)	H (mm)	I (mm)
BVAWEU015MI	1/2"	47.8	26.4	20.3	14	40	67	88.5	59.2	49.8	17
BVAWEU020MI	3/4"	58.8	31.3	25.3	19	43	78	101.5	68.3	57.3	20
BVAWEU025MI	1"	68	38	32.4	32	50	86	112	78.3	64.4	23.4
BVAWEU035MI	1 1/4"	82.4	49	40.4	32.5	56.4	99.3	129.7	89.5	76	26.6
BVAWEU042MI	1 1/2"	94.6	59.5	50.4	40	68.2	115	151.8	101.3	86.6	31.5
BVAWEU050MI	2"	113	73.9	63.4	49.7	78	134	179	124.4	101	38.5
BVAWEU065MI	2 1/2"	128	87.8	67	59.5	90	151.8	203.8	149.9	113.1	44
BVAWEU080MI	3"	181	107.4	90.4	80	120.9	196	254.7	191.6	160	52
BVAWEU100MI	4"	204	132.2	106.5	96	139.5	224.5	295.8	191.6	230.3	62