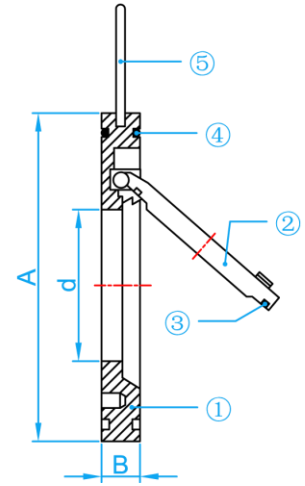
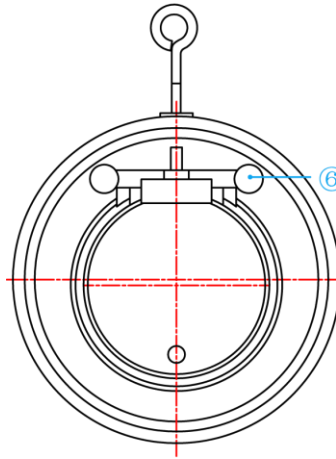


## PVC WAFER CHECK VALVES



CROSS SECTIONAL VIEW

### COMPONENT PARTS

ITEM	PARTS	MATERIAL
1	Body	PVC
2	Flapper	PVC
3	O-ring	EPDM
4	O-ring	EPDM
5	Ring	STEEL
6	Cap	PVC

### DIMENSIONS

SKU	SIZE (mm)	D	PN	A (mm)	B [mm]	d [mm]	WEIGHT (kg)
WCVAWE080	80	90	10	140	23	27	0.415
WCVAWE100	100	110	10	160	23	62	0.520
WCVAWE125	125	140	10	192	24	83	0.800
WCVAWE150	150	160	10	218	26	105	1.085
WCVAWE200	200	200	10	273	34	126	1.910
WCVAWE250	250	250	6	328	40	170	3.290
WCVAWE300	300	315	6	380	45	220	4.980