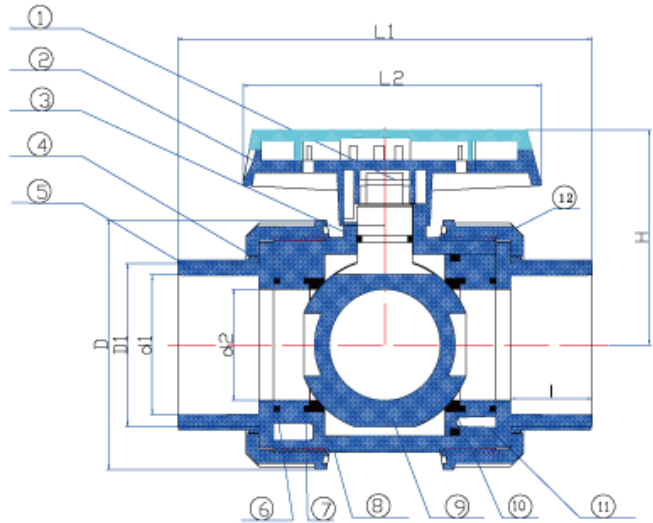


TRUE UNION BALL VALVE

- END CONNECTOR: THREAD, SOCKET
- WORKING PRESSURE: 150PSI

NOTE

SKU: BVAWU- (SOCKET END)
BVAWU-MI (THREADED END)



COMPONENT PARTS

ITEM	PARTS	MATERIAL	QTY
1	Stem	uPVC	1
2	Handle	ABS	1
3	Stem O-Ring	EPDM	2
4	Union Nut	uPVC	2
5	End Connector	uPVC	2
6	Body O-Ring	EPDM	2

COMPONENT PARTS

ITEM	PARTS	MATERIAL	QTY
7	O-Ring	EPDM	2
8	Body	uPVC	1
9	Ball	uPVC	1
10	Seat Seal	PTFE	2
11	Seat Carrier	uPVC	1
12	Carrier O-Ring	EPDM	1

DIMENSIONS

SKU	BSPT Thd./in	d1 (mm)	d2 (mm)	D1 (mm)	D (mm)	I (mm)	L1 (mm)	L2 (mm)	H (mm)
BVAWEU015	14	22	14	27.6	51.2	20.6	112.5	65.0	50.5
BVAWEU020	14	26	18.7	35.6	65.5	24.6	130.2	75.0	58.5
BVAWEU025	11	32	24	41.6	73.7	28.0	142.5	85.0	65.7
BVAWEU035	11	38	32	52.0	86.6	31.0	161.0	97.0	76.5
BVAWEU042	11	48	40	59.5	102	31.5	166.5	110.0	86.0
BVAWEU050	11	60	50	75.0	120	40.0	214.0	133.5	101.5
BVAWEU065	11	76	60	87.5	135	40.0	228.0	161.5	112.5
BVAWEU080	11	89	79	107.5	188	48.0	269.0	200.0	160.5
BVAWEU100	11	114	99	132.0	216	56.0	309.0	240.0	173.5