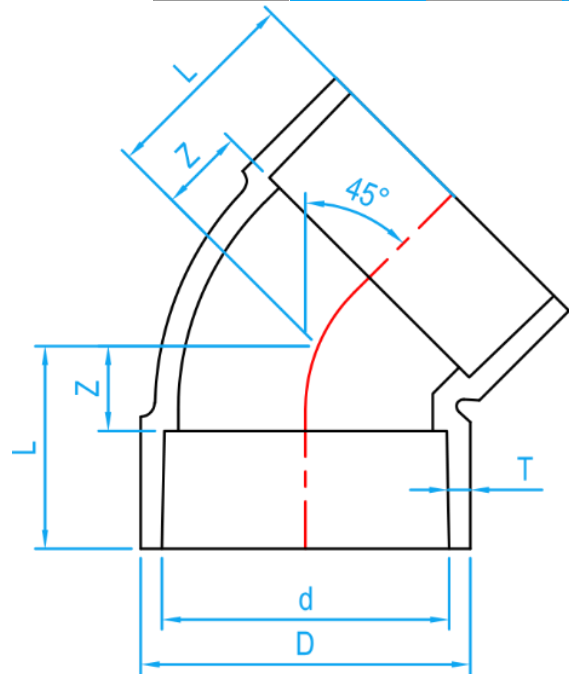
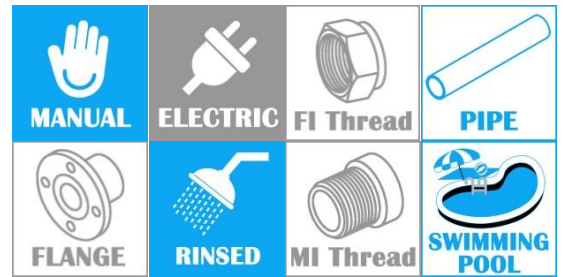


ESLON VU/AE ELBOW 45°

COMPLY WITH JIS K 6739



CROSS SECTIONAL VIEW

DIMENSIONS

SKU	DN	d (mm)	D (mm)	T-Min (mm)	Z (mm)	L (mm)	WEIGHT (Kg)	PCS/CTN
AEE45035	35	38.25±0.25	44	2.2	12	30	0.036	340
AEE45042	42	48.30±0.30	54	2.2	14	36	0.055	190
AEE45050	50	60.35±0.30	67	2.2	18	43	0.081	100
AEE45065	65	76.40±0.30	83	2.5	22	57	0.156	46
AEE45080	80	89.45±0.30	97	3.0	25	65	0.203	40
AEE45100	100	114.55±0.35	124	3.5	30	80	0.444	20
AEE45125	125	140.70±0.40	151	4.5	38	103	0.798	10
AEE45150	150	165.85±0.45	178	5.5	44	124	1.278	6
AEE45200	200	217.3	227	5.5	48	153	1.942	3
AEE45250	250	268.6	280	6.5	58	183	3.387	3
AEE45300	300	319.8	333	7.5	70	210	5.420	2
AEE45350	350	373.0	389	9.3	90	250	9.845	1
AEE45400	400	423.0	444	10.5	120	320	-	1

- Notes: 1. The tolerance for Z is ±2mm.
2. L is the standard dimension.